



**UNITED STATES  
SECURITIES AND EXCHANGE COMMISSION  
Washington, D.C. 20549**

**FORM 10-Q/A  
(AMENDMENT NO. 2)**

**QUARTERLY REPORT PURSUANT TO SECTION 13 OR 15(d)  
OF THE SECURITIES EXCHANGE ACT OF 1934**

For the quarterly period ended April 30, 2010

Commission File Number 000-50421

**CONN'S, INC.**

(Exact name of registrant as specified in its charter)

**A Delaware Corporation**

(State or other jurisdiction of incorporation or organization)

**06-1672840**

(I.R.S. Employer Identification Number)

**3295 College Street  
Beaumont, Texas 77701  
(409) 832-1696**

(Address, including zip code, and telephone number, including area code, of registrant's principal executive offices)

**NONE**

(Former name, former address and former fiscal year, if changed since last report)

Indicate by check mark whether the registrant (1) has filed all reports required to be filed by Section 13 or 15(d) of the Securities Exchange Act of 1934 during the preceding 12 months (or for such shorter period that the registrant was required to file such reports), and (2) has been subject to such filing requirements for the past 90 days. Yes  No

Indicate by check mark whether the registrant has submitted electronically and posted on its corporate Web site, if any, every Interactive Data File required to be submitted and posted pursuant to Rule 405 of Regulation S-T (§232.405 of this chapter) during the preceding 12 months (or for such shorter period that the registrant was required to submit and post such files). Yes  No

Indicate by check mark whether the registrant is a large accelerated filer, an accelerated filer, a non-accelerated filer or a smaller reporting company. See definition of "accelerated filer and large accelerated filer" in Rule 12b-2 of the Exchange Act. (Check One):

Large accelerated filer  Accelerated filer  Non-accelerated filer  smaller reporting company   
(Do not check if a smaller reporting company)

Indicate by check mark whether the registrant is a shell company (as defined in Rule 12b-2 of the Act). Yes  No

Indicate the number of shares outstanding of each of the issuer's classes of common stock, as of May 24, 2010:

<u>Class</u>	<u>Outstanding</u>
Common stock, \$.01 par value per share	22,480,848

**EXPLANATORY NOTE**

We are filing this amendment to our Quarterly Report on Form 10-Q for the fiscal quarter ended April 30, 2010, to include information about our retail and credit segments and provide updated risk factors. As a result of our adoption of new accounting principles that resulted in the consolidation of our finance subsidiary and the changes in the financial markets and availability of capital, we have expanded the operational reporting now being used by management to provide more detailed operating performance information for our retail and credit operations, including modification of the financial information reported to the chief decision maker and the board of directors. As such, we are including segment information in the footnotes to the financial statements and Management's Discussion and Analysis.

**This amendment to the original Form 10-Q amends and restates only the information stated above. We have not updated any disclosures in this amendment to speak as of a later date than the original filing. All information contained in this amendment and the original Form 10-Q is subject to updating and supplementing as provided in the periodic reports filed subsequent to the original filing date with the Securities and Exchange Commission.**

---

## TABLE OF CONTENTS

	<u>Page No.</u>
<b><u>PART I. FINANCIAL INFORMATION</u></b>	
<u>Item 1. Financial Statements</u>	1
<u>Consolidated Balance Sheets as of January 31, 2010 and April 30, 2010</u>	1
<u>Consolidated Statements of Operations for the three months ended April 30, 2009 and 2010</u>	2
<u>Consolidated Statement of Stockholders' Equity for the three months ended April 30, 2010</u>	3
<u>Consolidated Statements of Cash Flows for the three months ended April 30, 2009 and 2010</u>	4
<u>Notes to Consolidated Financial Statements</u>	5
<u>Item 2. Management's Discussion and Analysis of Financial Condition and Results of Operations</u>	14
<u>Item 3. Quantitative and Qualitative Disclosures About Market Risk</u>	36
<u>Item 4. Controls and Procedures</u>	36
<b><u>PART II. OTHER INFORMATION</u></b>	
<u>Item 1. Legal Proceedings</u>	37
<u>Item 1A. Risk Factors</u>	37
<u>Item 2. Unregistered Sales of Equity Securities and Use of Proceeds</u>	50
<u>Item 4. Submission of Matters to a Vote of Security Holders</u>	50
<u>Item 5. Other Information</u>	51
<u>Item 6. Exhibits</u>	51
<b><u>SIGNATURE</u></b>	52
<u>EX-12.1</u>	
<u>EX-31.1</u>	
<u>EX-31.2</u>	
<u>EX-32.1</u>	
<u>EX-99.1</u>	
<u>EX-99.2</u>	
<u>EX-99.3</u>	
<u>EX-99.4</u>	
<u>EX-99.5</u>	
<u>EX-99.6</u>	

---

## Part I. FINANCIAL INFORMATION

## Item 1. Financial Statements

**Conn's, Inc.**  
**CONSOLIDATED BALANCE SHEETS**  
(in thousands, except share data)

	January 31, 2010 <small>(As adjusted see Note 1)</small>	April 30, 2010 <small>(unaudited)</small>
<b>Assets</b>		
Cash and cash equivalents (includes balances of VIE of \$104 and \$107, respectively)	\$ 12,247	\$ 5,708
Other accounts receivable, net of allowance of \$50 and \$52, respectively	23,254	30,291
Customer accounts receivable, net of allowance of \$19,204 and \$18,087 respectively (includes balances of VIE of \$279,948 and \$262,403, respectively)	368,304	353,551
Inventories	63,499	88,901
Deferred income taxes	15,237	14,826
Federal income taxes recoverable	8,148	—
Prepaid expenses and other assets	8,050	6,628
<b>Total current assets</b>	<b>498,739</b>	<b>499,905</b>
<b>Long-term portion of customer accounts receivable, net of allowance of \$16,598 and \$15,454, respectively</b> (includes balances of VIE of \$241,971 and \$224,193, respectively)	<b>318,341</b>	<b>302,070</b>
<b>Property and equipment</b>		
Land	7,682	7,490
Buildings	10,480	10,378
Equipment and fixtures	23,797	23,826
Transportation equipment	1,795	1,684
Leasehold improvements	91,299	91,320
Subtotal	135,053	134,698
Less accumulated depreciation	(75,350)	(78,335)
<b>Total property and equipment, net</b>	<b>59,703</b>	<b>56,363</b>
<b>Non-current deferred income tax asset</b>	<b>5,485</b>	<b>6,404</b>
<b>Other assets, net</b> (includes balances of VIE of \$7,106 and \$7,886, respectively)	<b>10,198</b>	<b>12,287</b>
<b>Total assets</b>	<b>\$ 892,466</b>	<b>\$877,029</b>
<b>Liabilities and Stockholders' Equity</b>		
<b>Current liabilities</b>		
Current portion of long-term debt (includes balances of VIE of \$63,900 and \$100,000, respectively)	\$ 64,055	\$100,162
Accounts payable	39,944	55,238
Accrued compensation and related expenses	5,697	5,049
Accrued expenses	31,685	24,181
Income taxes payable	2,640	7,941
Deferred revenues and allowances	14,596	13,353
<b>Total current liabilities</b>	<b>158,617</b>	<b>205,924</b>
<b>Long-term debt</b> (includes balances of VIE of \$282,500 and \$220,000, respectively)	<b>388,249</b>	<b>319,611</b>
<b>Other long-term liabilities</b>	<b>5,195</b>	<b>4,995</b>
<b>Fair value of interest rate swaps</b>	<b>337</b>	<b>251</b>
<b>Deferred gains on sales of property</b>	<b>905</b>	<b>874</b>
<b>Stockholders' equity</b>		
Preferred stock (\$0.01 par value, 1,000,000 shares authorized; none issued or outstanding)	—	—
Common stock (\$0.01 par value, 40,000,000 shares authorized; 24,194,555 and 24,204,053 shares issued at January 31, 2010 and April 30, 2010, respectively)	242	242
Additional paid-in capital	106,226	106,835
Accumulated other comprehensive loss	(218)	(163)
Retained earnings	269,984	275,531
Treasury stock, at cost, 1,723,205 shares	(37,071)	(37,071)
<b>Total stockholders' equity</b>	<b>339,163</b>	<b>345,374</b>
<b>Total liabilities and stockholders' equity</b>	<b>\$ 892,466</b>	<b>\$877,029</b>

See notes to consolidated financial statements.

**Conn's, Inc.**  
**CONSOLIDATED STATEMENTS OF OPERATIONS**  
(unaudited)  
(in thousands, except earnings per share)

	Three Months Ended	
	April 30,	
	2009	2010
	(As adjusted see Note 1)	
<b>Revenues</b>		
Product sales	\$ 184,817	\$150,365
Repair service agreement commissions, net	9,790	7,917
Service revenues	5,544	4,757
<b>Total net sales</b>	<b>200,151</b>	<b>163,039</b>
Finance charges and other	39,700	34,480
<b>Total revenues</b>	<b>239,851</b>	<b>197,519</b>
<b>Cost and expenses</b>		
Cost of goods sold, including warehousing and occupancy costs	145,870	114,157
Cost of parts sold, including warehousing and occupancy costs	2,587	2,372
Selling, general and administrative expense	62,738	60,743
Provision for bad debts	5,644	6,274
<b>Total cost and expenses</b>	<b>216,839</b>	<b>183,546</b>
<b>Operating income</b>	<b>23,012</b>	<b>13,973</b>
Interest expense, net	5,004	4,785
Other (income) expense, net	(8)	171
<b>Income before income taxes</b>	<b>18,016</b>	<b>9,017</b>
<b>Provision for income taxes</b>	<b>6,660</b>	<b>3,470</b>
<b>Net income</b>	<b>\$ 11,356</b>	<b>\$ 5,547</b>
<b>Earnings per share</b>		
Basic	\$ 0.51	\$ 0.25
Diluted	\$ 0.50	\$ 0.25
<b>Average common shares outstanding</b>		
Basic	22,447	22,475
Diluted	22,689	22,477

See notes to consolidated financial statements.

**Conn's, Inc.**  
**CONSOLIDATED STATEMENT OF STOCKHOLDERS' EQUITY**  
**Three Months Ended April 30, 2010**  
(unaudited)  
(in thousands, except descriptive shares)

	Common Stock		Additional Paid-in Capital	Other Compre- hensive Loss	Retained Earnings	Treasury Stock	Total
	Shares	Amount					
<b>Balance January 31, 2010</b> (As adjusted, see Note 1)	24,194	\$ 242	\$106,226	\$ (218)	\$269,984	\$(37,071)	\$339,163
Issuance of shares of common stock under Employee Stock Purchase Plan	10	—	48				48
Stock-based compensation			561				561
Net income					5,547		5,547
Adjustment of fair value of interest rate swaps net of tax of \$31				55			55
Other comprehensive income				55			55
Total comprehensive income							5,602
<b>Balance April 30, 2010</b>	<u>24,204</u>	<u>\$ 242</u>	<u>\$106,835</u>	<u>\$ (163)</u>	<u>\$275,531</u>	<u>\$(37,071)</u>	<u>\$345,374</u>

See notes to consolidated financial statements.

**Conn's, Inc.**  
**CONSOLIDATED STATEMENTS OF CASH FLOWS**  
(unaudited) (in thousands)

	Three Months Ended April 30,	
	2009 (As adjusted see Note 1)	2010
<b>Cash flows from operating activities</b>		
Net income	\$ 11,356	\$ 5,547
Adjustments to reconcile net income to net cash provided by operating activities:		
Depreciation	3,291	3,352
Amortization, net	110	766
Provision for bad debts	5,644	6,274
Stock-based compensation	630	561
Discounts and accretion on promotional credit	(804)	(766)
Provision for deferred income taxes	(946)	(192)
(Gains) losses on sales of property and equipment	(8)	171
Changes in operating assets and liabilities:		
Customer accounts receivable	12,731	25,521
Other accounts receivable	13,812	(7,037)
Inventory	4,992	(25,402)
Prepaid expenses and other assets	178	1,392
Accounts payable	(1,003)	15,294
Accrued expenses	(4,155)	(8,152)
Income taxes payable	3,309	13,132
Deferred revenue and allowances	(405)	(1,242)
<b>Net cash provided by operating activities</b>	<b><u>48,732</u></b>	<b><u>29,219</u></b>
<b>Cash flows from investing activities</b>		
Purchases of property and equipment	(3,800)	(390)
Proceeds from sales of property	19	204
<b>Net cash used in investing activities</b>	<b><u>(3,781)</u></b>	<b><u>(186)</u></b>
<b>Cash flows from financing activities</b>		
Proceeds from stock issued under employee benefit plans	59	48
Borrowings under lines of credit	82,933	61,013
Payments on lines of credit	(132,633)	(93,511)
Increase in deferred financing costs	(154)	(3,089)
Payment of promissory notes	(1)	(33)
<b>Net cash used in financing activities</b>	<b><u>(49,796)</u></b>	<b><u>(35,572)</u></b>
<b>Net change in cash</b>	<b><u>(4,845)</u></b>	<b><u>(6,539)</u></b>
<b>Cash and cash equivalents</b>		
Beginning of the year	11,909	12,247
<b>End of period</b>	<b><u>\$ 7,064</u></b>	<b><u>\$ 5,708</u></b>

See notes to consolidated financial statements.



**Conn's, Inc.**  
**NOTES TO CONSOLIDATED FINANCIAL STATEMENTS**  
**(unaudited)**  
**April 30, 2010**

**1. Summary of Significant Accounting Policies**

**Basis of Presentation.** The accompanying unaudited, condensed consolidated financial statements have been prepared in accordance with accounting principles generally accepted in the United States for interim financial information and with the instructions to Form 10-Q and Article 10 of Regulation S-X. Accordingly, they do not include all of the information and footnotes required by accounting principles generally accepted in the United States for complete financial statements. The accompanying financial statements reflect all adjustments that are, in the opinion of management, necessary for a fair statement of the results for the interim periods presented. All such adjustments are of a normal recurring nature, except as otherwise described herein. Operating results for the three month period ended April 30, 2010, are not necessarily indicative of the results that may be expected for the fiscal year ending January 31, 2011. The financial statements should be read in conjunction with the Company's (as defined below) audited consolidated financial statements and the notes thereto included in the Company's Current Report on Form 8-K filed on July 7, 2010.

The Company's balance sheet at January 31, 2010, has been derived from the audited financial statements at that date, revised for the retrospective application of the new accounting principles discussed below, but does not include all of the information and footnotes required by accounting principles generally accepted in the United States for a complete financial presentation. Please see the Company's Form 8-K for a complete presentation of the audited financial statements for the fiscal year ended January 31, 2010, together with all required footnotes, and for a complete presentation and explanation of the components and presentations of the financial statements.

**Business Activities.** The Company, through its retail stores, provides products and services to its customer base in seven primary market areas, including southern Louisiana, southeast Texas, Houston, South Texas, San Antonio/Austin, Dallas/Fort Worth and Oklahoma. Products and services offered through retail sales outlets include home appliances, consumer electronics, home office equipment, lawn and garden products, mattresses, furniture, repair service agreements, installment and revolving credit account programs, and various credit insurance products. These activities are supported through an extensive service, warehouse and distribution system. For the reasons discussed below, the Company has aggregated its results into two operating segments: credit and retail. The Company's retail stores bear the "Conn's" name, and deliver the same products and services to a common customer group. The Company's customers generally are individuals rather than commercial accounts. All of the retail stores follow the same procedures and methods in managing their operations. The Company's management evaluates performance and allocates resources based on the operating results of its retail and credit segments. With the adoption of the new accounting principles discussed below, which require the consolidation of the Company's variable interest entity engaged in receivables securitizations, it began separately evaluating the performance of its retail and credit operations. As a result, management believes it is appropriate to disclose separate financial information of its retail and credit segments. The separate financial information is disclosed in footnote 6 — "Segment Reporting".

**Adoption of New Accounting Principles.** The Company enters into securitization transactions to transfer eligible retail installment and revolving customer receivables and retains servicing responsibilities and subordinated interests. Additionally, the Company transfers the eligible customer receivables to a bankruptcy-remote variable interest entity (VIE). In June 2009, the FASB issued revised authoritative guidance to improve the relevance and comparability of the information that a reporting entity provides in its financial statements about:

- a transfer of financial assets;
- the effects of a transfer on its financial position, financial performance, and cash flows; and
- a transferor's continuing involvement, if any, in transferred financial assets; and,
- Improvements in financial reporting by companies involved with variable interest entities to provide more relevant and reliable information to users of financial statements by requiring an enterprise

## Table of Contents

to perform an analysis to determine whether the enterprise's variable interest or interests give it a controlling financial interest in a variable interest entity. This analysis identifies the primary beneficiary of a variable interest entity as the enterprise that has both of the following characteristics:

- a) The power to direct the activities of a variable interest entity that most significantly impact the entity's economic performance, and
- b) The obligation to absorb losses of the entity that could potentially be significant to the variable interest entity or the right to receive benefits from the entity that could potentially be significant to the variable interest entity.

After the effective date, the concept of a qualifying special-purpose entity is no longer relevant for accounting purposes. Therefore, formerly qualifying special-purpose entities (as defined under previous accounting standards) should be evaluated for consolidation by reporting entities on and after the effective date in accordance with the applicable consolidation guidance. If the evaluation on the effective date results in consolidation, the reporting entity should apply the transition guidance provided in the pronouncement that requires consolidation. The new FASB-issued authoritative guidance was effective for the Company beginning February 1, 2010.

The Company determined that it qualifies as the primary beneficiary of its VIE based on the following considerations:

- The Company directs the activities that generate the customer receivables that are transferred to the VIE,
- The Company directs the servicing activities related to the collection of the customer receivables transferred to the VIE,
- The Company absorbs all losses incurred by the VIE to the extent of its residual interest in the customer receivables held by the VIE before any other investors incur losses, and
- The Company has the rights to receive all benefits generated by the VIE after paying the contractual amounts due to the other investors.

As a result, the Company's adoption of the provisions of the new guidance, effective February 1, 2010, resulted in the Company's VIE, which is engaged in customer receivable financing and securitization, being consolidated in the Company's balance sheet and the Company's statements of operations, stockholders' equity and cash flows. Previously, the operations of the VIE were reported off-balance sheet. The Company has elected to apply the provisions of this new guidance by retrospectively restating prior period financial statements to give effect to the consolidation of the VIE, presenting the balances at their carrying value as if they had always been carried on its balance sheet. The retrospective application impacted the comparative prior period financial statements as follows:

- For the three months ended April 30, 2009, Income before income taxes was reduced by approximately \$0.3 million.
- For the three months ended April 30, 2009, Net income was reduced by approximately \$0.2 million.
- For the three months ended April 30, 2009, Basic earnings per share was unchanged.
- For the three months ended April 30, 2009, Diluted earnings per share was reduced by \$0.01.
- For the three months ended April 30, 2009, Cash flows from operating activities was increased by approximately \$46.5 million.
- For the three months ended April 30, 2009, Cash flows from financing activities was reduced by approximately \$46.5 million.
- As of January 31, 2010, the net of current assets and current liabilities increased approximately \$25.4 million;
- As of January 31, 2010, Customer accounts receivable, net, were increased approximately \$488.5 million, Net deferred tax assets were increased approximately \$3.0 million and Other assets were increased approximately \$7.1 million;
- As of January 31, 2010, Interests in the securitized assets of its VIE of approximately \$157.7 million was eliminated;
- As of January 31, 2010, current and long-term debt were increased approximately \$63.9 million and \$282.5 million, respectively; and
- As of January 31, 2010, Retained earnings was decreased approximately \$5.2 million.

**Principles of Consolidation.** The consolidated financial statements include the accounts of Conn's, Inc. and all of its wholly-owned subsidiaries (the Company), including the Company's VIE. The liabilities of the VIE and the assets specifically collateralizing those obligations are not available for the general use of the Company and have been parenthetically presented on the face of the Company's balance sheet. All material intercompany transactions and balances have been eliminated in consolidation.

**Fair Value of Financial Instruments.** The fair value of cash and cash equivalents, receivables and accounts payable approximate their carrying amounts because of the short maturity of these instruments. The fair value of the Company's long-term debt and the VIE's \$170 million 2002 Series A variable funding note approximate their carrying amount based on the fact that the agreements were recently amended and the cost of the borrowings were revised to reflect current market conditions. The estimated fair value of the VIE's \$150 million 2006 Series A medium term notes was approximately \$141 million and \$139 million as of April 30, 2010 and January 31, 2010, respectively, based on its estimate of the rates available at these dates, for instruments with similar terms and maturities. The Company's interest rate swaps are presented on the balance sheet at fair value.

**Use of Estimates.** The preparation of financial statements in conformity with generally accepted accounting principles requires management to make estimates and assumptions that affect the amounts reported in the financial statements and accompanying notes. Actual results could differ from those estimates.

**Earnings Per Share.** The Company calculates basic earnings per share by dividing net income by the weighted average number of common shares outstanding. Diluted earnings per share include the dilutive effects of any stock options granted, as calculated under the treasury-stock method. The weighted average number of anti-dilutive stock options not included in calculating diluted EPS was 1.5 million and 2.7 million for the three months ended April 30, 2009 and 2010, respectively. The following table sets forth the shares outstanding for the earnings per share calculations:

The following table sets forth the shares outstanding for the earnings per share calculations:

	Three Months Ended	
	April 30,	
	2009	2010
Common stock outstanding, net of treasury stock, beginning of period	22,444,240	22,471,350
Weighted average common stock issued to employee stock purchase plan	2,719	3,308
Shares used in computing basic earnings per share	22,446,959	22,474,658
Dilutive effect of stock options, net of assumed repurchase of treasury stock	242,204	2,787
Shares used in computing diluted earnings per share	<u>22,689,163</u>	<u>22,477,445</u>

**Customer Accounts Receivable.** Customer accounts receivable reported in the consolidated balance sheet includes receivables transferred to the Company's VIE and those receivables not transferred to the VIE. The Company records the amount of principal and accrued interest on Customer receivables that is expected to be collected within the next twelve months, based on contractual terms, in current assets on its consolidated balance sheet. Those amounts expected to be collected after 12 months, based on contractual terms, are included in long-term assets. Typically, customer receivables are considered delinquent if a payment has not been received on the scheduled due date. Additionally, the Company offers reage programs to customers with past due balances that have experienced a financial hardship; if they meet the conditions of the Company's reage policy. Reaging a customer's account can result in updating an account from a delinquent status to a current status. Generally, an account that is delinquent more than 120 days and for which no payment has been received in the past seven months will be charged-off against the allowance for doubtful accounts and interest accrued subsequent to the last payment will be reversed. The Company has a secured interest in the merchandise financed by these receivables and therefore has the opportunity to recover a portion of the charged-off amount.

**Interest Income on Customer Accounts Receivable.** Interest income is accrued using the Rule of 78's method for installment contracts and the simple interest method for revolving charge accounts, and is reflected in Finance charges and other. Typically, interest income is accrued until the contract or account is paid off or charged-off and we provide an allowance for estimated uncollectible interest. Interest income is recognized on interest-free promotion credit programs based on the Company's historical experience related

## [Table of Contents](#)

to customers that fail to satisfy the requirements of the interest-free programs. Additionally, for sales on deferred interest and "same as cash" programs that exceed one year in duration, the Company discounts the sales to their fair value, resulting in a reduction in sales and customer receivables, and amortizes the discount amount to Finance charges and other over the term of the program. The amount of customer receivables carried on the Company's consolidated balance sheet that were past due 90 days or more and still accruing interest was \$54.8 million and \$44.7 million at January 31, 2010, and April 30, 2010, respectively.

**Allowance for Doubtful Accounts.** The Company records an allowance for doubtful accounts, including estimated uncollectible interest, for its Customer and Other accounts receivable, based on its historical net loss experience and expectations for future losses. The net charge-off data used in computing the loss rate is reduced by the amount of post-charge-off recoveries received, including cash payments, amounts realized from the repossession of the products financed and, at times, payments under credit insurance policies. Additionally, the Company separately evaluates the Primary and Secondary portfolios when estimating the allowance for doubtful accounts. The balance in the allowance for doubtful accounts and uncollectible interest for customer receivables was \$35.8 million and \$33.5 million, at January 31, 2010, and April 30, 2010, respectively. Additionally, as a result of the Company's practice of reaging customer accounts, if the account is not ultimately collected, the timing and amount of the charge-off is impacted. If these accounts had been charged-off sooner the historical net loss rates might have been higher.

**Inventories.** Inventories consist of finished goods or parts and are valued at the lower of cost (moving weighted average method) or market.

**Other Assets.** The Company has certain deferred financing costs for transactions that have not yet been completed and has not begun amortization of those costs. These costs are included in Other assets, net, on the balance sheet and will be amortized upon completion of the related financing transaction or expensed in the event the Company fails to complete such a transaction. The Company also has certain restricted cash balances included in Other assets. The restricted cash balances represent collateral for note holders of the Company's VIE, and the amount is expected to decrease as the respective notes are repaid. However, the required balance could increase dependent on certain net portfolio yield requirements. The balance of this restricted cash account was \$6.0 million at January 31, 2010, and April 30, 2010.

### **Comprehensive Income.**

Comprehensive income for the three months ended April 30, 2009 is as follows:

Net income	\$11,356
Adjustment of fair value of interest rate swaps, net of tax of \$44	(81)
Total comprehensive income	<u>\$11,275</u>

**Subsequent Events.** Subsequent events have been evaluated through the date of issuance. No material subsequent events have occurred since April 30, 2010, that required recognition or disclosure in the Company's current period financial statements

**Reclassifications.** Certain reclassifications have been made in the prior year's financial statements to conform to the current year's presentation, by reclassifying the balance of construction-in-progress of approximately \$0.9 million from Property and equipment — Buildings to Property and equipment — Leasehold improvements, on the consolidated balance sheet.

## **2. Supplemental Disclosure of Finance Charges and Other Revenue**

The following is a summary of the classification of the amounts included as Finance charges and other for the three months ended April 30, 2009 and 2010 (in thousands):

	Three Months ended April 30,	
	2009	2010
Interest income and fees on customer receivables	\$ 34,956	\$ 30,393
Insurance commissions	4,630	3,837
Other	114	250
Finance charges and other	<u>\$ 39,700</u>	<u>\$ 34,480</u>

### 3. Supplemental Disclosure of Customer Receivables

The following tables present quantitative information about the receivables portfolios managed by the Company (in thousands):

	of Customer Receivables		Total Outstanding Balance 60 Days Past Due (1)		Reaged (1)	
	January 31, 2010	April 30, 2010	January 31, 2010	April 30, 2010	January 31, 2010	April 30, 2010
	Primary portfolio:					
Installment	\$ 555,573	\$ 532,869	\$ 46,758	\$ 38,577	\$ 93,219	\$ 87,196
Revolving	41,787	36,193	2,017	1,884	1,819	1,762
Subtotal	597,360	569,062	48,775	40,461	95,038	88,958
Secondary portfolio:						
Installment	138,681	131,430	24,616	19,471	49,135	45,051
Total receivables managed	736,041	700,492	\$ 73,391	\$ 59,932	\$ 144,173	\$ 134,009
Allowance for uncollectible accounts	(35,802)	(33,541)				
Allowances for promotional credit programs	(13,594)	(11,330)				
Current portion of customer accounts receivable, net	368,304	353,551				
Long-term customer accounts receivable, net	\$ 318,341	\$ 302,070				
Receivables transferred to the VIE	\$ 521,919	\$ 486,596	\$ 59,840	\$ 47,540	\$ 122,521	\$ 110,082
Receivables not transferred to the VIE	214,122	213,896	13,551	12,392	21,652	23,927
Total receivables managed	\$ 736,041	\$ 700,492	\$ 73,391	\$ 59,932	\$ 144,173	\$ 134,009

(1) Amounts are based on end of period balances and accounts could be represented in both the past due and reaged columns shown above.

	Average Balances Three Months Ended April 30,		Net Credit Charge-offs (2) Three Months Ended April 30,	
	2009	2010	2009	2010
	Primary portfolio:			
Installment	\$ 547,980	\$ 542,675		
Revolving	35,291	38,839		
Subtotal	583,271	581,514	\$ 3,916	\$ 6,153
Secondary portfolio:				
Installment	159,270	134,324	1,689	2,092
Total receivables managed	\$ 742,541	\$ 715,838	\$ 5,605	\$ 8,245
Receivables transferred to the VIE	\$ 615,761	\$ 503,280	\$ 5,249	\$ 6,077
Receivables not transferred to the VIE	126,780	212,558	356	2,168
Total receivables managed	\$ 742,541	\$ 715,838	\$ 5,605	\$ 8,245

(2) Amounts represent total credit charge-offs, net of recoveries, on total customer receivables.

#### 4. Debt and Letters of Credit

The Company's borrowing facilities consist of an asset-based revolving credit facility, a \$10 million unsecured revolving line of credit, its VIE's 2002 Series A variable funding note and its VIE's 2006 Series A medium term notes. Debt consisted of the following at the periods ended (in thousands):

	<u>January 31,</u> <u>2010</u>	<u>April 30,</u> <u>2010</u>
Asset-based revolving credit facility	\$ 105,498	\$ 99,400
2002 Series A Variable Funding Note	196,400	170,000
2006 Series A Notes	150,000	150,000
Unsecured revolving line of credit for \$10 million maturing in September 2010	—	—
Other long-term debt	406	373
Total debt	<u>452,304</u>	<u>419,773</u>
Less current portion of debt	64,055	100,162
Long-term debt	<u>\$ 388,249</u>	<u>\$ 319,611</u>

The Company's \$210 million asset-based revolving credit facility provides funding based on a borrowing base calculation that includes customer accounts receivable and inventory and matures in August 2011. The credit facility bears interest at LIBOR plus a spread ranging from 325 basis points to 375 basis points, based on a fixed charge coverage ratio. In addition to the fixed charge coverage ratio, the revolving credit facility includes a total liabilities to tangible net worth requirement, a minimum customer receivables cash recovery percentage requirement, a net capital expenditures limit and combined portfolio performance covenants. The Company was in compliance with the covenants, as amended, at April 30, 2010. Additionally, the agreement contains cross-default provisions, such that, any default under another credit facility of the Company or its VIE would result in a default under this agreement, and any default under this agreement would result in a default under those agreements. The asset-based revolving credit facility is secured by the assets of the Company not otherwise encumbered.

The 2002 Series A program functions as a revolving credit facility to fund the transfer of eligible customer receivables to the VIE. When the outstanding balance of the facility approaches a predetermined amount, the VIE (Issuer) is required to seek financing to pay down the outstanding balance in the 2002 Series A variable funding note. The amount paid down on the facility then becomes available to fund the transfer of new customer receivables or to meet required principal payments on other series as they become due. The new financing could be in the form of additional notes, bonds or other instruments as the market and transaction documents might allow. Given the current state of the financial markets, especially with respect to asset-backed securitization financing, the Company has been unable to issue medium-term notes or increase the availability under the existing variable funding note program. The 2002 Series A program consists of \$170 million that is renewable annually, at the Company's option, until August 2011 and bears interest at commercial paper rates plus a spread of 250 basis points. The total commitment under the 2002 Series A program was reduced during the quarter from \$200 million at January 31, 2010. Additionally, in connection with recent amendments to the 2002 Series A facility, the VIE agreed to reduce the total available commitment to \$130 million in April 2011.

The 2006 Series A program, which was consummated in August 2006, is non-amortizing for the first four years and officially matures in April 2017. However, it is expected that the scheduled \$7.5 million principal payments, which begin in September 2010, will retire the bonds prior to that date. The VIE's borrowing agreements contain certain covenants requiring the maintenance of various financial ratios and customer receivables performance standards. The Issuer was in compliance with the requirements of the agreements, as amended, as of April 30, 2010. The VIE's debt is secured by the Customer accounts receivable that are transferred to it, which are included in Customer accounts receivable and Long-term portion of customer accounts receivable on the consolidated balance sheet. The investors and the securitization trustee have no recourse to the Company's other assets for failure of the individual customers of the Company and the VIE to pay when due. Additionally, the Company has no recourse to the VIE's assets to satisfy its obligations. The

## [Table of Contents](#)

Company's retained interests in the customer receivables collateralizing the securitization program and the related cash flows are subordinate to the investors' interests, and would not be paid if the Issuer is unable to repay the amounts due under the 2002 Series A and 2006 Series A programs. The ultimate realization of the retained interest is subject to credit, prepayment, and interest rate risks on the transferred financial assets.

In March 2010, the Company and its VIE completed amendments to the various borrowing agreements that revised the covenant requirements as of January 31, 2010, and revised certain future covenant requirements. The revised covenant calculations include both the operating results and assets and liabilities of the Company and the VIE, effective January 31, 2010, for all financial covenant calculations. In addition to the covenant changes, the Company, as servicer of the customer receivables, agreed to implement certain additional collection procedures if certain performance requirements were not maintained, and agreed to make fee payments to the 2002 Series A facility providers on the amount of the commitment available at specific future dates. The Company also agreed to use the proceeds from any capital raising activity it completes to further reduce the commitments and debt outstanding under the securitization program's debt facilities. The fee payments will equal the following rates multiplied time the total available borrowing commitment under the 2002 Series A facility on the dates shown:

- 50 basis points on May 1, 2010,
- 100 basis points on August 1, 2010,
- 110 basis points on November 1, 2010,
- 115 basis points on February 1, 2011,
- 115 basis point on May 1, 2011, and
- 123 basis points on August 1, 2011.

As of April 30, 2010, the Company had approximately \$55.4 million under its asset-based revolving credit facility, net of standby letters of credit issued, and \$10.0 million under its unsecured bank line of credit immediately available for general corporate purposes. The Company also had \$33.5 million that may become available under its asset-based revolving credit facility as it grows the balance of eligible customer receivables and its total eligible inventory balances.

The Company's asset-based revolving credit facility provides it the ability to utilize letters of credit to secure its obligations as the servicer under its VIE's asset-backed securitization program, deductibles under the Company's property and casualty insurance programs and international product purchases, among other acceptable uses. At April 30, 2010, the Company had outstanding letters of credit of \$21.7 million under this facility. The maximum potential amount of future payments under these letter of credit facilities is considered to be the aggregate face amount of each letter of credit commitment, which totals \$21.7 million as of April 30, 2010.

The Company held interest rate swaps with notional amounts totaling \$25.0 million as of April 30, 2010, with terms extending through July 2011 for the purpose of hedging against variable interest rate risk related to the variability of cash flows in the interest payments on a portion of its variable-rate debt, based on changes in the benchmark one-month LIBOR interest rate. Changes in the cash flows of the interest rate swaps are expected to exactly offset the changes in cash flows (changes in base interest rate payments) attributable to fluctuations in the LIBOR interest rate. For derivative instruments that are designated and qualify as a cash flow hedge, the effective portion of the gain or loss on the derivative is reported as a component of other comprehensive income (loss) and reclassified into earnings in the same period or periods during which the hedged transaction affects earnings. Gains and losses on the derivative representing either hedge ineffectiveness or hedge components excluded from the assessment of effectiveness are recognized in current earnings. At April 30, 2010, the estimated net amount of loss that is expected to be reclassified into earnings within the next twelve months is \$0.2 million.



[Table of Contents](#)

For information on the location and amounts of derivative fair values in the statement of operation, see the tables presented below (in thousands):

	Fair Values of Derivative Instruments			
	Liability Derivatives			
	January 31, 2010		April 30, 2010	
	Balance Sheet Location	Fair Value	Balance Sheet Location	Fair Value
<b>Derivatives designated as hedging instruments under</b>				
Interest rate contracts	Other liabilities	\$ 337	Other liabilities	\$ 251
<b>Total derivatives designated as hedging instruments</b>		<b>\$ 337</b>		<b>\$ 251</b>

Derivatives in Cash Flow Hedging Relationships	Amount of Gain or (Loss) Recognized in OCI on Derivative (Effective Portion)		Location of Gain or (Loss) Reclassified from Accumulated OCI into Income (Effective Portion)	Amount of Gain or (Loss) Reclassified from Accumulated OCI into Income (Effective Portion)		Location of Gain or (Loss) Recognized in Income on Derivative (Ineffective Portion and Amount Excluded from Effectiveness Testing)	Amount of Gain or (Loss) Recognized in Income on Derivative (Ineffective Portion and Amount Excluded from Effectiveness Testing)	
	Three Months Ended			Three Months Ended			Three Months Ended	
	April 30, 2009	April 30, 2010		April 30, 2009	April 30, 2010		April 30, 2009	April 30, 2010
Interest Rate Contracts	\$ (81)	\$ 55	Interest income/ (expense)	\$ (17)	\$ (98)	Interest income/ (expense)	\$ —	\$ —
Total	\$ (81)	\$ 55		\$ (17)	\$ (98)		\$ —	\$ —

**5. Contingencies**

**Legal Proceedings.** The Company is involved in routine litigation and claims incidental to its business from time to time, and, as required, has accrued its estimate of the probable costs for the resolution of these matters. These estimates have been developed in consultation with counsel and are based upon an analysis of potential results, assuming a combination of litigation and settlement strategies. It is possible, however, that future results of operations for any particular period could be materially affected by changes in the Company's assumptions or the effectiveness of its strategies related to these proceedings. However, the results of these proceedings cannot be predicted with certainty, and changes in facts and circumstances could impact the Company's estimate of reserves for litigation.

**Repair Service Agreement Obligations.** The Company sells repair service agreements that extend the period of covered warranty service on the products the Company sells. For certain of the repair service agreements sold, the Company is the obligor for payment of qualifying claims. The Company is responsible for administering the program, including setting the pricing of the agreements sold and paying the claims. The typical term for these agreements is between 12 and 36 months. The pricing is set based on historical claims experience and expectations about future claims. While the Company is unable to estimate maximum potential claim exposure, it has a history of overall profitability upon the ultimate resolution of agreements sold. The revenues related to the agreements sold are deferred at the time of sale and recorded in revenues in the statement of operations over the life of the agreements. The agreements can be canceled at any time and any deferred revenue associated with canceled agreements is reversed at the time of cancellation. The



[Table of Contents](#)

amounts of repair service agreement revenue deferred at January 31, 2010, and April 30, 2010, are \$7.3 million and \$7.3 million, respectively, and are included in Deferred revenue and allowances in the accompanying consolidated balance sheets. The following table presents a reconciliation of the beginning and ending balances of the deferred revenue on the Company's repair service agreements and the amount of claims paid under those agreements (in thousands):

**Reconciliation of deferred revenues on repair service agreements**

	Three Months Ended April 30,	
	2009	2010
Balance in deferred revenues at beginning of period	\$ 7,213	\$ 7,268
Revenues earned during the period	(1,733)	(1,787)
Revenues deferred on sales of new agreements	1,833	1,801
Balance in deferred revenues at end of period	<u>\$ 7,313</u>	<u>\$ 7,282</u>
Total claims incurred during the period, excludes selling expenses	<u>\$ 716</u>	<u>\$ 886</u>

**6. Segment Reporting**

Financial information by segment is presented in the following tables for the three months ended April 30, 2010 and 2009 (in thousands):

	Three Months Ended April 30,					
	2009			2010		
	Retail	Credit	Total	Retail	Credit	Total
<b>Revenues</b>						
Product sales	\$184,817	\$ —	\$184,817	\$150,365	\$ —	\$150,365
Repair service agreement commissions (net) (a)	12,087	(2,297)	9,790	10,925	(3,008)	7,917
Service revenues	5,544		5,544	4,757		4,757
Total net sales	<u>202,448</u>	<u>(2,297)</u>	<u>200,151</u>	<u>166,047</u>	<u>(3,008)</u>	<u>163,039</u>
Finance charges and other	114	39,586	39,700	250	34,230	34,480
<b>Total revenues</b>	<u>202,562</u>	<u>37,289</u>	<u>239,851</u>	<u>166,297</u>	<u>31,222</u>	<u>197,519</u>
<b>Cost and expenses</b>						
Cost of goods and parts sold, including warehousing and occupancy costs	148,457	—	148,457	116,529	—	116,529
Selling, general and administrative expense (b)	43,830	15,507	59,337	40,150	16,475	56,625
Depreciation and amortization	2,982	419	3,401	3,023	1,095	4,118
Provision for bad debts	59	5,585	5,644	86	6,188	6,274
<b>Total cost and expenses</b>	<u>195,328</u>	<u>21,511</u>	<u>216,839</u>	<u>159,788</u>	<u>23,758</u>	<u>183,546</u>
<b>Operating income</b>	<u>7,234</u>	<u>15,778</u>	<u>23,012</u>	<u>6,509</u>	<u>7,464</u>	<u>13,973</u>
Interest expense, net	—	5,004	5,004	—	4,785	4,785
Other (income) expense, net	(8)	—	(8)	171	—	171
<b>Segment income before income taxes</b>	<u>\$ 7,242</u>	<u>\$ 10,774</u>	<u>\$ 18,016</u>	<u>\$ 6,338</u>	<u>\$ 2,679</u>	<u>\$ 9,017</u>
<b>Total assets</b>	<u>\$213,297</u>	<u>\$705,056</u>	<u>\$918,353</u>	<u>\$209,589</u>	<u>\$667,440</u>	<u>\$877,029</u>

- (a) — Retail repair service agreement commissions exclude repair service agreement cancellations that are the result of consumer credit account charge-offs. These amounts are reflected in repair service agreement commissions for the credit segment.
- (b) — Selling, general and administrative expenses include the direct expenses of the retail and credit operations, allocated overhead expenses and a charge to the credit segment to reimburse the retail segment for expenses it incurs related to occupancy, personnel, advertising and other direct costs of the retail segment which benefit the credit operations by sourcing credit customers and collecting payments. The reimbursement received by the retail segment from the credit segment is estimated using an annual rate of 2.5% times the average portfolio balance for each applicable period. The amount of overhead allocated to each segment was approximately \$2.0 million for each of the three months ended April 30, 2010 and 2009. The amount of the reimbursement made to the retail segment by the credit segment was approximately \$4.5 million and \$4.6 million for the three months ended April 30, 2010 and 2009, respectively.

## Item 2. Management's Discussion and Analysis of Financial Condition and Results of Operations Forward-Looking Statements

This report contains forward-looking statements. We sometimes use words such as "believe," "may," "will," "estimate," "continue," "anticipate," "intend," "expect," "project" and similar expressions, as they relate to us, our management and our industry, to identify forward-looking statements. Forward-looking statements relate to our expectations, beliefs, plans, strategies, prospects, future performance, anticipated trends and other future events. We have based our forward-looking statements largely on our current expectations and projections about future events and financial trends affecting our business. Actual results may differ materially. Some of the risks, uncertainties and assumptions about us that may cause actual results to differ from these forward-looking statements include, but are not limited to:

- our ability to obtain capital for required capital expenditures and costs related to the opening of new stores or to update, relocate or expand existing stores;
- our ability to fund our operations, capital expenditures, debt repayment and expansion from cash flows from operations, borrowings from our revolving line of credit and proceeds from securitizations, and proceeds from accessing debt or equity markets;
- our ability to renew or replace our existing borrowing facilities on or before the maturity dates of the facilities;
- the cost or terms of any amended, renewed or replacement credit facilities;
- our ability to obtain additional funding for the purpose of funding the customer receivables generated by us, including limitations on our ability to obtain financing through the commercial paper-based funding sources in our securitization program;
- our inability to maintain compliance with debt covenant requirements, including taking the actions necessary to maintain compliance with the covenants, such as obtaining amendments to the borrowing facilities that modify the covenant requirements, which could result in higher borrowing costs;
- reduced availability under our asset-based revolving credit facility as a result of borrowing base requirements and the impact on the borrowing base calculation of changes in the performance or eligibility of the customer receivables financed by that facility;
- increases in the retained portion of our customer receivables portfolio under our asset-backed securitization program as a result of changes in performance or types of customer receivables transferred, or as a result of a change in the mix of funding sources available to the securitization program, requiring higher collateral levels, or limitations on our ability to obtain financing through commercial paper-based funding sources;
- the success of our growth strategy and plans regarding opening new stores and entering adjacent and new markets, including our plans to continue expanding into existing markets;
- our ability to open and profitably operate new stores in existing, adjacent and new geographic markets;
- our intention to update or expand existing stores;
- our ability to introduce additional product categories;
- the ability of the financial institutions providing lending facilities to us to fund their commitments;

## Table of Contents

- the effect of any downgrades by rating agencies of our lenders on borrowing costs;
- the effect on our borrowing cost of changes in laws and regulations affecting the providers of debt financing;
- the effect of rising interest rates or borrowing spreads that could increase our cost of borrowing or reduce securitization income;
- the effect of rising interest rates or other economic conditions on mortgage borrowers that could impair our customers' ability to make payments on outstanding credit accounts;
- our inability to make customer financing programs available that allow consumers to purchase products at levels that can support our growth;
- the potential for deterioration in the delinquency status of the transferred or owned credit portfolios or higher than historical net charge-offs in the portfolios could adversely impact earnings;
- technological and market developments, growth trends and projected sales in the home appliance and consumer electronics industry, including, with respect to digital products like Blu-ray players, HDTV, LED and 3-D televisions, GPS devices, home networking devices and other new products, and our ability to capitalize on such growth;
- the potential for price erosion or lower unit sales points that could result in declines in revenues;
- the effect of changes in oil and gas prices that could adversely affect our customers' shopping decisions and patterns, as well as the cost of our delivery and service operations and our cost of products, if vendors pass on their additional fuel costs through increased pricing for products;
- the ability to attract and retain qualified personnel;
- both the short-term and long-term impact of adverse weather conditions (e.g. hurricanes) that could result in volatility in our revenues and increased expenses and casualty losses;
- changes in laws and regulations and/or interest, premium and commission rates allowed by regulators on our credit, credit insurance and repair service agreements as allowed by those laws and regulations;
- our relationships with key suppliers and their ability to provide products at competitive prices and support sales of their products through their rebate and discount programs;
- the adequacy of our distribution and information systems and management experience to support our expansion plans;
- the accuracy of our expectations regarding competition and our competitive advantages;
- changes in our stock price or the number of shares we have outstanding;
- the potential for market share erosion that could result in reduced revenues;
- the accuracy of our expectations regarding the similarity or dissimilarity of our existing markets as compared to new markets we enter;
- the use of third parties to complete certain of our distribution, delivery and home repair services;
- general economic conditions in the regions in which we operate; and

## [Table of Contents](#)

- the outcome of litigation or government investigations affecting our business.

Additional important factors that could cause our actual results to differ materially from our expectations are discussed under “Risk Factors” in our Form 10-K/A filed with the Securities Exchange Commission on April 12, 2010. In light of these risks, uncertainties and assumptions, the forward-looking events and circumstances discussed in this report might not happen.

The forward-looking statements in this report reflect our views and assumptions only as of the date of this report. We undertake no obligation to update publicly or revise any forward-looking statements, whether as a result of new information, future events or otherwise, except as required by law.

All forward-looking statements attributable to us, or to persons acting on our behalf, are expressly qualified in their entirety by these cautionary statements.

### **General**

We intend for the following discussion and analysis to provide you with a better understanding of the financial condition and performance of our retail and credit segments for the indicated periods, including an analysis of those key factors that contributed to our financial condition and performance and that are, or are expected to be, the key “drivers” of our business.

We are a specialty retailer with 76 retail locations in Texas, Louisiana and Oklahoma, that sells home appliances, including refrigerators, freezers, washers, dryers, dishwashers and ranges, a variety of consumer electronics, including LCD, LED, 3-D, plasma and DLP televisions, camcorders, digital cameras, Blu-ray and DVD players, video game equipment, MP3 players and home theater products, lawn and garden products, mattresses and furniture. We also sell home office equipment, including computers and computer accessories and continue to introduce additional product categories for the home and consumer entertainment, such as GPS devices, to help increase same store sales and to respond to our customers’ product needs. We require our sales associates to be knowledgeable of all of our products.

Unlike many of our competitors, we provide flexible in-house credit options for our customers. In the last three years, we financed, on average, approximately 61% of our retail sales through our internal credit programs. In addition to interest-bearing installment and revolving charge contracts, at times, we offer promotional credit programs to certain customers that provide for “same as cash” or deferred interest interest-free periods of varying terms, generally three, six, 12, 18, 24 and 36 months, and require monthly payments beginning in the month after the sale. In turn, we finance substantially all of our customer receivables from these credit programs with cash flow from operations and through an asset-based revolving credit facility and an asset-backed securitization facility. In addition to our own credit programs, we use third-party financing programs to provide a portion of the non-interest bearing financing for purchases made by our customers.

[Table of Contents](#)

The following tables present, for comparison purposes, information about our credit portfolios.

	Primary Portfolio (1)			
	Three Months Ended			
	1/31/2009	4/30/2009	1/31/2010	4/30/2010
Total outstanding balance (period end)	\$ 589,922	\$ 579,455	\$ 597,360	\$ 569,062
Average outstanding customer balance	\$ 1,403	\$ 1,405	\$ 1,339	\$ 1,341
Number of active accounts (period end)	420,585	412,387	446,203	424,383
Account balances over 60 days past due (period end)	\$ 35,153	\$ 33,003	\$ 48,775	\$ 40,461
Percent of balances over 60 days past due to total outstanding balance (period end)	6.0%	5.7%	8.2%	7.1%
Total account balances reaged (period end)	90,560	88,400	95,038	88,959
Percent of reaged balances to total outstanding balance (period end)	15.4%	15.3%	15.9%	15.6%
Account balances reaged more than six months (period end)	\$ 36,452	\$ 34,716	\$ 35,448	\$ 34,299
Weighted average credit score of outstanding balances	603	600	600	596
Total applications processed (2)	257,840	203,559	206,422	169,289
Percent of retail sales financed	48.9%	43.8%	54.7%	52.8%
Weighted average origination credit score of sales financed	636	634	631	626
Total applications approved	49.9%	45.9%	52.7%	50.5%
Average down payment	5.5%	7.6%	4.5%	4.1%
Average total outstanding balance	\$ 579,539	\$ 583,271	\$ 601,763	\$ 581,514
Bad debt charge-offs (net of recoveries)	\$ 4,280	\$ 3,916	\$ 6,516	\$ 6,153
Percent of bad debt charge-offs (net of recoveries) to average outstanding balance	3.0%	2.7%	4.3%	4.2%
Estimated percent of reage balances collected (3)	89.5%	90.4%	82.8%	83.5%

[Table of Contents](#)

	Secondary Portfolio (1)			
	Three Months Ended			
	1/31/2009	4/30/2009	1/31/2010	4/30/2010
Total outstanding balance (period end)	\$ 163,591	\$ 155,097	\$ 138,681	\$ 131,430
Average outstanding customer balance	\$ 1,394	\$ 1,385	\$ 1,319	\$ 1,309
Number of active accounts (period end)	117,372	112,011	105,109	100,412
Account balances over 60 days past due (period end)	\$ 19,988	\$ 17,908	\$ 24,616	\$ 19,471
Percent of balances over 60 days past due to total outstanding balance (period end)	12.2%	11.5%	17.8%	14.8%
Total account balances reaged (period end)	\$ 50,602	\$ 49,850	\$ 49,135	\$ 45,051
Percent of reaged balances to total outstanding balance (period end)	30.9%	32.1%	35.4%	34.3%
Account balances reaged more than six months (period end)	\$ 19,860	\$ 20,185	\$ 21,920	\$ 20,931
Weighted average credit score of outstanding balances	521	524	526	528
Total applications processed (2)	114,133	96,443	89,615	75,345
Percent of retail sales financed	9.4%	8.5%	6.0%	6.4%
Weighted average origination credit score of sales financed	540	559	555	556
Total applications approved	23.2%	16.5%	19.3%	21.4%
Average down payment	20.1%	22.9%	21.2%	17.5%
Average total outstanding balance	\$ 163,320	\$ 159,270	\$ 141,125	\$ 134,324
Bad debt charge-offs (net of recoveries)	\$ 2,043	\$ 1,689	\$ 2,325	\$ 2,092
Percent of bad debt charge-offs (net of recoveries) to average outstanding balance	5.0%	4.2%	6.6%	6.2%
Estimated percent of reage balances collected (3)	90.3%	91.9%	86.2%	87.1%

[Table of Contents](#)

	Combined Portfolio (1)			
	Three Months Ended			
	1/31/2009	4/30/2009	1/31/2010	4/30/2010
Total outstanding balance (period end)	\$753,513	\$734,552	\$736,041	\$700,492
Average outstanding customer balance	\$ 1,401	\$ 1,401	\$ 1,335	\$ 1,335
Number of active accounts (period end)	537,957	524,398	551,312	524,795
Account balances over 60 days past due (period end)	\$ 55,141	\$ 50,911	\$ 73,391	\$ 59,932
Percent of balances over 60 days past due to total outstanding balance (period end)	7.3%	6.9%	10.0%	8.6%
Total account balances reaged (period end)	\$141,162	\$138,250	\$144,173	\$134,010
Percent of reaged balances to total outstanding balance (period end)	18.7%	18.8%	19.6%	19.1%
Account balances reaged more than six months (period end)	\$ 56,312	\$ 54,901	\$ 57,368	\$ 55,230
Weighted average credit score of outstanding balances	585	584	586	583
Total applications processed (2)	371,973	300,002	296,037	244,634
Percent of retail sales financed	58.3%	52.3%	60.7%	59.2%
Weighted average origination credit score of sales financed	620	623	621	616
Total applications approved	41.7%	36.4%	42.6%	41.5%
Average down payment	7.4%	9.3%	6.2%	5.9%
Average total outstanding balance	\$742,859	\$742,541	\$742,888	\$715,838
Weighted average monthly payment rate	5.2%	5.8%	5.0%	6.0%
Bad debt charge-offs (net of recoveries)	\$ 6,323	\$ 5,605	\$ 8,841	\$ 8,245
Percent of bad debt charge-offs (net of recoveries) to average outstanding balance	3.4%	3.0%	4.8%	4.6%
Estimated percent of reage balances collected (3)	89.8%	91.0%	84.0%	84.7%

(1) The Portfolios consist of owned and transferred receivables.

(2) Unapproved and not declined credit applications in the primary portfolio are referred to the secondary portfolio.

(3) Is calculated as 1 minus the percent of actual bad debt charge-offs (net of recoveries) of reage balances as a percent of average reage balances. The reage bad debt charge-offs are included as a component of Percent of bad debt charge-offs (net of recoveries) to average outstanding balance.

We also derive revenues from repair services on the products we sell and from product delivery and installation services we provide to our customers. Additionally, acting as an agent for unaffiliated companies, we sell credit insurance and repair service agreements to protect our customers from credit losses due to death, disability, involuntary unemployment and property damage and product failure not covered by a manufacturers' warranty. We also derive revenues from the sale of extended repair service agreements, under which we are the primary obligor, to protect the customers after the original manufacturer's warranty or repair service agreement has expired.

Our business is moderately seasonal, with a greater share of our revenues, pretax and net income realized during the quarter ending January 31, due primarily to the holiday selling season.

## Executive Overview

This narrative is intended to provide an executive level overview of our operations for the three months ended April 30, 2010. A detailed explanation of the changes in our operations for this period as compared to the prior year period is included under Results of Operations. Some of the more specific items impacting our operating and pretax income were:

- For the three months ended April 30, 2010, compared to the same period last year, Total net sales decreased 18.6% and Finance charges and other decreased 13.1%. Total revenues decreased 17.7% while same store sales decreased 19.7% for the quarter ended April 30, 2010. The sales decline was primarily driven by:

## Table of Contents

- more challenging economic conditions in Texas compared to the same quarter in the prior year, as evidenced by the unemployment rate rising from 6.8% in February 2009, to 8.3% in April 2010, and
- management's emphasis on improving retail gross margin, which increased from 25.0% to 27.9% for the three months ended April 30, 2009, and 2010, respectively, while maintaining price competitiveness.
- Finance charges and other decreased 13.1% for the three months ended April 30, 2010, when compared to the same period last year, primarily due to a decrease in interest income and fees as the average interest income and fee yield earned on the portfolio fell from 18.8% for the three months April 30, 2009, to 17.0%, for the three months ended April 30, 2010, and the average balance of customer accounts receivable outstanding fell 3.6%. The interest income and fee yield fell as a result of the higher level of charge-offs experienced and the reduced amount of new credit accounts originated in the three months ended April 30, 2010, as compared to the same quarter in the prior fiscal year.
- Deferred interest and "same as cash" plans under our consumer credit programs continue to be an important part of our sales promotion plans and are utilized to provide a wide variety of financing to enable us to appeal to a broader customer base. For the three months ended April 30, 2010, \$25.6 million, or 17.0%, of our product sales were financed by our deferred interest and "same as cash" plans. For the comparable period in the prior year, product sales financed by our deferred interest and "same as cash" sales were \$27.2 million, or 14.7%. Our promotional credit programs (same as cash and deferred interest programs), which require monthly payments, are reserved for our highest credit quality customers, thereby reducing the overall risk in the portfolio, and are typically used to finance sales of our highest margin products. We expect to continue to offer promotional credit in the future, including the use of third-party consumer credit programs, which financed \$0.7 million and \$13.5 million, of our product and repair service agreement sales during the three months ended April 30, 2009 and 2010, respectively.
- Our total gross margin (Total revenues less Cost of goods sold) increased from 38.1% to 41.0% for the three months ended April 30, 2010, when compared to the same period in the prior year. The increase resulted primarily from:
  - an increase in retail gross margins (includes gross profit from product sales and repair service agreement commissions) from 25.0% for the three months ended April 30, 2009, to 27.9% for the three months ended April 30, 2010, respectively, which improved the total gross margin by 230 basis points. The increase was driven largely by a 300 basis point increase in product gross margins to 24.1% for the three months ended April 30, 2010, as we focused on improving pricing discipline on the sales floor while maintaining price competitiveness in the marketplace, and
  - a change in the revenue mix in the quarter ended April 30, 2010, such that higher gross margin finance charge and other revenues contributed a larger percentage of total revenues, resulted in an increase in the total gross margin of approximately 60 basis points.
- During the three months ended April 30, 2010, Selling, general and administrative (SG&A) expense was reduced by \$2.0 million, though it increased as a percent of revenues to 30.8% from 26.2% in the prior year period, due to the deleveraging effect of the decline in total revenues. The \$2.0 million reduction in SG&A expense was driven primarily by lower compensation and related expense and reduced advertising expense, partially offset by increased amortization expense due to the amendments completed to our credit facilities, higher charges related to the increased use of third-party finance providers and increased use of contract delivery and installation services. The prior year period also included a \$0.5 million charge to increase our litigation reserves.
- The Provision for bad debts increased to \$6.3 million for the three months ended April 30, 2010, from \$5.6 million for the same quarter in the prior year period. While our total net charge-offs of customer and non-customer accounts receivable increased by \$2.7 million compared to the first quarter of the prior fiscal year. In the first quarter we experienced an improvement in our credit portfolio performance (specifically, the trends in the delinquency rate, payment rate, net charge-off rate and percent of the portfolio reaged) over the fourth quarter of fiscal 2010. As such, our allowance for bad debts declined approximately \$2.2 million during the three months ended April 30, 2010 from the fourth quarter of fiscal 2010, after absorbing the higher net charge-offs incurred in the fiscal quarter ended April 30, 2010.



## Table of Contents

- Net interest expense decreased in the three months ended April 30, 2010, due primarily to reduced outstanding debt balances.
- The provision for income taxes for the three months ended April 30, 2010, was impacted primarily by the change in pre-tax income.

### **Operational Changes and Resulting Outlook**

While we are continuing to assess the availability of capital for new store locations and growth of the credit portfolio, we do not currently have any new store openings planned.

During the fiscal year ended January 31, 2010, we adjusted our underwriting guidelines and reduced the volume of credit accounts we originated in our Secondary Portfolio. As a result of the changes in our underwriting guidelines, we saw improved credit portfolio performance during the first quarter of fiscal 2011, evidenced by:

- a 140 basis point reduction in the 60+ day delinquency percentage from 10.0% at January 31, 2010, to 8.6% at April 30, 2010, as compared to a 40 basis point reduction in the same percentage from 7.3% at January 31, 2009, to 6.9% at April 30, 2009,
- a 50 basis point, or \$10 million, reduction in the percent and balance, respectively, of the credit portfolio that has been reaged, to 19.1%, or \$134.0 million, as of April 30, 2010, as compared to January 31, 2010, and
- the payment rate percentage, the amount collected on credit accounts during a month as a percentage of the portfolio balance at the beginning of the month, increased in February, March and April of the current year as compared to the same months in the prior year.

While we benefited from our operations being concentrated in the Texas, Louisiana and Oklahoma region in the earlier months of 2009, recent weakness in the health of the national and state economies have and will present significant challenges to our operations in the coming quarters. Specifically, future sales volumes, gross profit margins and credit portfolio performance could be negatively impacted, and thus impact our overall profitability. Additionally, declines in our future operating performance could impact compliance with our credit facility covenants, which we recently renegotiated to avoid potentially triggering the default provisions of the credit facilities. As a result, while we will strive to maintain our market share, improve credit portfolio performance and reduce expenses, we will also work to maintain our access to the liquidity necessary to maintain our operations through these challenging times.

The consumer electronics industry depends on new products to drive same store sales increases. Typically, these new products, such as high-definition and 3-D televisions, Blu-ray and DVD players, digital cameras, MP3 players and GPS devices are introduced at relatively high price points that are then gradually reduced as the product becomes mainstream. To sustain positive same store sales growth, unit sales must increase at a rate greater than the decline in product prices. The affordability of the product helps drive the unit sales growth. However, as a result of relatively short product life cycles in the consumer electronics industry, which limit the amount of time available for sales volume to increase, combined with rapid price erosion in the industry, retailers are challenged to maintain overall gross margin levels and positive same store sales. This has historically been our experience, and we continue to adjust our marketing strategies to address this challenge through the introduction of new product categories and new products within our existing categories.

## Application of Critical Accounting Policies

In applying the accounting policies that we use to prepare our consolidated financial statements, we necessarily make accounting estimates that affect our reported amounts of assets, liabilities, revenues and expenses. Some of these accounting estimates require us to make assumptions about matters that are highly uncertain at the time we make the accounting estimates. We base these assumptions and the resulting estimates on authoritative pronouncements, historical information and other factors that we believe to be reasonable under the circumstances, and we evaluate these assumptions and estimates on an ongoing basis. We could reasonably use different accounting estimates, and changes in our accounting estimates could occur from period to period, with the result in each case being a material change in the financial statement presentation of our financial condition or results of operations. We refer to accounting estimates of this type as critical accounting estimates. We believe that the critical accounting estimates discussed below are among those most important to an understanding of our consolidated financial statements as of April 30, 2010.

*Customer Accounts Receivable.* Customer accounts receivable reported in our consolidated balance sheet include receivables transferred to our VIE and those receivables not transferred to our VIE. We include the amount of principal and accrued interest on those receivables that are expected to be collected within the next twelve months, based on contractual terms, in current assets on our consolidated balance sheet. Those amounts expected to be collected after 12 months, based on contractual terms, are included in long-term assets. Typically, a receivable is considered delinquent if a payment has not been received on the scheduled due date. Additionally, we offer reage programs to customers with past due balances that have experienced a financial hardship, if they meet the conditions of our reage policy. Reaging a customer's account can result in updating it from a delinquent status to a current status. Generally, an account that is delinquent more than 120 days and for which no payment has been received in the past seven months will be charged-off against the allowance for doubtful accounts and interest accrued subsequent to the last payment will be reversed. We have a secured interest in the merchandise financed by these receivables and therefore have the opportunity to recover a portion of any charged-off amount.

*Interest Income on Customer Accounts Receivable.* Interest income is accrued using the Rule of 78's method for installment contracts and the simple interest method for revolving charge accounts, and is reflected in Finance charges and other. Typically, interest income is accrued until the contract or account is paid off or charged-off and we provide an allowance for estimated uncollectible interest. Interest income is recognized on our interest-free promotional accounts based on our historical experience related to customers who fail to satisfy the requirements of the interest-free programs. Additionally, for sales on deferred interest and "same as cash" programs that exceed one year in duration, we discount the sales to their fair value, resulting in a reduction in sales and receivables, and amortize the discount amount in to Finance charges and other over the term of the program.

*Allowance for Doubtful Accounts.* We record an allowance for doubtful accounts, including estimated uncollectible interest, for our Customer accounts receivable, based on our historical net loss experience and expectations for future losses. The net charge-off data used in computing the loss rate is reduced by the amount of post-charge-off recoveries received, including cash payments, amounts realized from the repossession of the products financed and, at times, payments received under credit insurance policies. Additionally, we separately evaluate the Primary and Secondary portfolios when estimating the allowance for doubtful accounts. The balance in the allowance for doubtful accounts and uncollectible interest for customer receivables was \$35.8 million and \$33.5 million at January 31, 2010, and April 30, 2010, respectively. Additionally, as a result of our practice of reaging customer accounts, if the account is not ultimately collected, the timing and amount of the charge-off is impacted. If these accounts had been charged-off sooner the net loss rates might have been higher. Reaged customer receivable balances represented 19.1% of the total portfolio balance at April 30, 2010. If the loss rate used to calculate the allowance for doubtful accounts were increased by 10% at April 30, 2010, we would have increased our Provision for bad debts by approximately \$3.4 million.

*Revenue Recognition.* Revenues from the sale of retail products are recognized at the time the customer takes possession of the product. Such revenues are recognized net of any adjustments for sales incentive offers such as discounts, coupons, rebates, or other free products or services and discounts of promotional credit sales that will extend beyond one year. We sell repair service agreements and credit insurance

## [Table of Contents](#)

contracts on behalf of unrelated third parties. For contracts where the third parties are the obligors on the contract, commissions are recognized in revenues at the time of sale, and in the case of retrospective commissions, at the time that they are earned. Where we sell repair service renewal agreements in which we are deemed to be the obligor on the contract at the time of sale, revenue is recognized ratably, on a straight-line basis, over the term of the repair service agreement. These repair service agreements are renewal contracts that provide our customers protection against product repair costs arising after the expiration of the manufacturer's warranty and the third party obligor contracts. These agreements typically have terms ranging from 12 to 36 months. These agreements are separate units of accounting and are valued based on the agreed upon retail selling price. The amount of repair service agreement revenue deferred at January 31, 2010, and April 30, 2010, was \$7.3 million and \$7.3 million, respectively, and is included in Deferred revenues and allowances in the accompanying consolidated balance sheets.

*Vendor Allowances.* We receive funds from vendors for price protection, product rebates (earned upon purchase or sale of product), marketing, training and promotion programs which are recorded on the accrual basis as a reduction to the related product cost, cost of goods sold, compensation expense or advertising expense, according to the nature of the program. We accrue rebates based on the satisfaction of terms of the program and sales of qualifying products even though funds may not be received until the end of a quarter or year. If the programs are related to product purchases, the allowances, credits or payments are recorded as a reduction of product cost; if the programs are related to product sales, the allowances, credits or payments are recorded as a reduction of cost of goods sold; if the programs are directly related to promotion, marketing or compensation expense paid related to the product, the allowances, credits, or payments are recorded as a reduction of the applicable expense in the period in which the expense is incurred.

*Accounting for Leases.* We analyze each lease, at its inception and any subsequent renewal, to determine whether it should be accounted for as an operating lease or a capital lease. Additionally, monthly lease expense for each operating lease is calculated as the average of all payments required under the minimum lease term, including rent escalations. Generally, the minimum lease term begins with the date we take possession of the property and ends on the last day of the minimum lease term, and includes all rent holidays, but excludes renewal terms that are at our option. Any tenant improvement allowances received are deferred and amortized into income as a reduction of lease expense on a straight line basis over the minimum lease term. The amortization of leasehold improvements is computed on a straight line basis over the shorter of the remaining lease term or the estimated useful life of the improvements. For transactions that qualify for treatment as a sale-leaseback, any gain or loss is deferred and amortized as rent expense on a straight-line basis over the minimum lease term. Any deferred gain would be included in Deferred gain on sale of property and any deferred loss would be included in Other assets on the consolidated balance sheets.

## Results of Operations

The following table sets forth certain statement of operations information as a percentage of total revenues for the periods indicated:

	Three Months Ended	
	April 30,	
	2010	2009
Revenues:		
Product sales	76.1%	77.0%
Repair service agreement commissions (net)	4.0	4.1
Service revenues	2.4	2.3
Total net sales	82.5	83.4
Finance charges and other	17.5	16.6
Total revenues	100.0	100.0
Costs and expenses:		
Cost of goods sold, including warehousing and occupancy cost	57.8	60.8
Cost of parts sold, including warehousing and occupancy cost	1.2	1.1
Selling, general and administrative expense	30.8	26.2
Provision for bad debts	3.2	2.4
Total costs and expenses	93.0	90.5
Operating income	7.0	9.5
Interest expense, net	2.4	2.1
Other (income) / expense, net	0.1	0.0
Income before income taxes	4.5	7.4
Provision for income taxes	1.8	2.8
Net income	2.7%	4.6%

Same store sales growth is calculated by comparing the reported sales for all stores that were open during the entirety of a period and the entirety of the same period in the prior fiscal year. Sales from closed stores, if any, are removed from each period. Sales from relocated stores have been included in each period because each store was relocated within the same general geographic market.

The presentation of gross margins may not be comparable to some other retailers since we include the cost of our in-home delivery and installation service as part of Selling, general and administrative expense. Similarly, we include the cost related to operating our purchasing function in Selling, general and administrative expense. It is our understanding that other retailers may include such costs as part of their cost of goods sold.

[Table of Contents](#)
**Analysis of consolidated statements of operations**
**Total consolidated**

	Three months ended		2010 vs. 2009	
	April 30,		Incr/(Decr)	
	2010	2009	Amount	Pct
<i>(in thousands except percentages)</i>				
<b>Revenues</b>				
Product sales	\$150,365	\$184,817	(\$34,452)	(18.6)%
Repair service agreement commissions (net)	7,917	9,790	(1,873)	(19.1)
Service revenues	4,757	5,544	(787)	(14.2)
<b>Total net sales</b>	<b>163,039</b>	<b>200,151</b>	<b>(37,112)</b>	<b>(18.5)</b>
Finance charges and other	34,480	39,700	(5,220)	(13.1)
<b>Total revenues</b>	<b>197,519</b>	<b>239,851</b>	<b>(42,332)</b>	<b>(17.6)</b>
<b>Cost and expenses</b>				
Cost of goods and parts sold	116,529	148,457	(31,928)	(21.5)
<b>Gross Profit</b>	<b>80,990</b>	<b>91,394</b>	<b>(10,404)</b>	<b>(11.4)</b>
<b>Gross Margin</b>	<b>41.0%</b>	<b>38.1%</b>		
Selling, general and administrative expense	56,625	59,337	(2,712)	(4.6)
Depreciation and amortization	4,118	3,401	717	21.1
Provision for bad debts	6,274	5,644	630	11.2
<b>Total costs and expenses</b>	<b>183,546</b>	<b>216,839</b>	<b>(33,293)</b>	
<b>Operating income</b>	<b>13,973</b>	<b>23,012</b>	<b>(9,039)</b>	<b>(39.3)</b>
<b>Operating Margin</b>	<b>7.1%</b>	<b>9.6%</b>		
Interest expense	4,785	5,004	(219)	(4.4)
Other (income) expense	171	(8)	179	(2237.5)
<b>Pretax Income</b>	<b>9,017</b>	<b>18,016</b>	<b>(8,999)</b>	<b>(50.0)</b>
<b>Provision for income taxes</b>	<b>3,470</b>	<b>6,660</b>	<b>(3,190)</b>	<b>(47.9)</b>
<b>Net Income</b>	<b>\$ 5,547</b>	<b>\$ 11,356</b>	<b>(\$5,809)</b>	<b>(51.2)</b>

**Retail segment**

	Three months ended		2010 vs. 2009	
	April 30,		Incr/(Decr)	
	2010	2009	Amount	Pct
<i>(in thousands except percentages)</i>				
<b>Revenues</b>				
Product sales	\$150,365	\$184,817	(\$34,452)	(18.6)%
Repair service agreement commissions (net) (a)	10,925	12,087	(1,162)	(9.6)
Service revenues	4,757	5,544	(787)	(14.2)
<b>Total net sales</b>	<b>166,047</b>	<b>202,448</b>	<b>(36,401)</b>	<b>(18.0)</b>
Finance charges and other	250	114	136	119.3
<b>Total revenues</b>	<b>166,297</b>	<b>202,562</b>	<b>(36,265)</b>	<b>(17.9)</b>
<b>Cost and expenses</b>				
Cost of goods and parts sold	116,529	148,457	(31,928)	(21.5)
<b>Gross Profit</b>	<b>49,768</b>	<b>54,105</b>	<b>(4,337)</b>	<b>(8.0)</b>
<b>Gross Margin</b>	<b>29.9%</b>	<b>26.7%</b>		
Selling, general and administrative expense (b)	40,150	43,830	(3,680)	(8.4)
Depreciation and amortization	3,023	2,982	41	1.4
Provision for bad debts	86	59	27	45.8
<b>Total costs and expenses</b>	<b>159,788</b>	<b>195,328</b>	<b>(35,540)</b>	<b>(18.2)</b>
<b>Operating income</b>	<b>6,509</b>	<b>7,234</b>	<b>(725)</b>	<b>(10.0)</b>
<b>Operating Margin</b>	<b>3.9%</b>	<b>3.6%</b>		
Other (income) expense	171	(8)	179	(2237.5)
<b>Segment Income before Income Taxes</b>	<b>\$ 6,338</b>	<b>\$ 7,242</b>	<b>\$ (904)</b>	<b>(12.5)</b>

**Credit segment**

(in thousands except percentages)	Three months ended April 30,		2010 vs. 2009 Incr/(Decr)	
	2010	2009	Amount	Pct
<b>Revenues</b>				
Product sales	\$ 0	\$ 0	\$ 0	N/A
Repair service agreement commissions (net) (a)	(3,008)	(2,297)	(711)	31.0
<b>Total net sales</b>	<u>(3,008)</u>	<u>(2,297)</u>	<u>(711)</u>	<u>31.0</u>
Finance charges and other	34,230	39,586	(5,356)	(13.5)
<b>Total revenues</b>	<u>31,222</u>	<u>37,289</u>	<u>(6,067)</u>	<u>(16.3)</u>
<b>Cost and expenses</b>				
Selling, general and administrative expense (b)	16,475	15,507	968	6.2
Depreciation and amortization	1,095	419	676	161.3
Provision for bad debts	6,188	5,585	603	10.8
<b>Total costs and expenses</b>	<u>23,758</u>	<u>21,511</u>	<u>2,247</u>	<u>10.4</u>
<b>Operating income</b>	<u>7,464</u>	<u>15,778</u>	<u>(8,314)</u>	<u>(52.7)</u>
<b>Operating Margin</b>	<u>23.9%</u>	<u>42.3%</u>		
Interest expense	4,785	5,004	(219)	(4.4)
<b>Segment Income before Income Taxes</b>	<u>\$ 2,679</u>	<u>\$10,774</u>	<u>\$ (8,095)</u>	<u>(75.1)</u>

- (a) Retail repair service agreement commissions exclude repair service agreement cancellations that are the result of consumer credit account charge-offs. These amounts are reflected in repair service agreement commissions for the credit segment.
- (b) Selling, general and administrative expenses include the direct expenses of the retail and credit operations, allocated overhead expenses and a charge to the credit segment to reimburse the retail segment for expenses it incurs related to occupancy, personnel, advertising and other direct costs of the retail segment which benefit the credit operations by sourcing credit customers and collecting payments. The reimbursement received by the retail segment from the credit segment is estimated using an annual rate of 2.5% times the average portfolio balance for each applicable period. The amount of overhead allocated to each segment was approximately \$2.0 million for each of the three months ended April 30, 2010 and 2009. The amount of reimbursement made to the retail segment by the credit segment was approximately \$4.5 million and \$4.6 million for the three months ended April 30, 2010 and 2009, respectively.

**Three Months Ended April 30, 2010 Compared to Three Months Ended April 30, 2009**

(Dollars in Millions)	2010	2009	Change	
			\$	%
<b>Net sales</b>	\$ 163.0	\$ 200.2	(37.2)	(18.6)
<b>Finance charges and other</b>	34.5	39.7	(5.2)	(13.1)
<b>Revenues</b>	\$ 197.5	\$ 239.9	(42.4)	(17.7)

The \$37.2 million decrease in net sales consists of the following:

- a \$38.2 million same store sales decrease of 19.7%;
- a \$1.4 million net increase generated by four retail locations that were not open for the three months in each period. Two new locations were opened subsequent to February 1, 2009 and two of our clearance centers were closed subsequent to February 1, 2009;
- a \$0.4 million increase resulted from a decrease in discounts on extended-term non-interest bearing credit sales (those with terms longer than 12 months); and
- a \$0.8 million decrease in service revenues.

## [Table of Contents](#)

The components of the \$37.2 million decrease in net sales were a \$34.5 million decrease in Product sales and a \$2.7 million decrease in repair service agreement commissions and service revenues. The \$34.5 million decrease in product sales resulted from the following:

- approximately \$6.6 million decrease attributable to decreases in total unit sales, due primarily to decreased unit sales in consumer electronics and appliances, partially offset by increases in track and furniture and mattresses, and
- approximately \$27.9 million decrease attributable to an overall decrease in the average unit price. The decrease was due primarily to a decrease in price points in the electronics and track categories, partially offset by an increase in appliances.

The \$2.7 million decrease in repair service agreement commissions and service revenues consisted of:

- a \$1.2 million decrease in the retail segment's repair service agreement commissions due primarily to the decline in product sales;
- a \$0.7 million decrease in the credit segment's repair service agreement commissions due to the higher level of credit charge-offs experienced; and
- a \$0.8 million decrease in the retail segment's service revenues due primarily to lower service labor revenues.

## [Table of Contents](#)

The following table presents net sales by product category in each period, including repair service agreement commissions and service revenues, expressed both in dollar amounts (in thousands) and as a percent of total net sales. Classification of sales has been adjusted from previous presentations to ensure comparability between the categories.

Category	Three Months Ended April 30,				Percent Change
	2010		2009		
	Amount	Percent	Amount	Percent	
Consumer electronics	\$ 53,617	32.9%	\$ 78,501	39.2%	(31.7)%(1)
Home appliances	47,930	29.4	57,084	28.5	(16.0)(2)
Track	21,278	13.0	21,524	10.8	(1.1)(3)
Furniture and mattresses	18,886	11.6	19,052	9.5	(0.9)(4)
Other	8,654	5.3	8,656	4.3	(0.0)(5)
Total product sales	150,365	92.2	184,817	92.3	(18.6)
Repair service agreement commissions	7,917	4.9	9,790	4.9	(19.1)(6)
Service revenues	4,757	2.9	5,544	2.8	(14.2)
Total net sales	<u>\$163,039</u>	<u>100.0%</u>	<u>\$200,151</u>	<u>100.0%</u>	(18.6)%

- (1) The consumer electronics category declined as the result of a 23.3% drop in unit sales of flat-panel televisions, compared to a 34.5% increase in the first quarter of the prior fiscal year, and an approximately 12.2% decline in average selling prices, related primarily to LCD televisions.
- (2) The home appliance category sales declined during the quarter on lower unit sales in all appliance categories, though average selling prices increased.
- (3) The track sales (consisting largely of computers, computer peripherals, video game equipment, portable electronics and small appliances) declined slightly as increased sales of laptops and the introduction of netbooks, and higher digital camera and accessory sales were offset primarily by declines in sales of camcorders, GPS devices and video game hardware.
- (4) The small decline in furniture and mattresses sales, compared to the 7.6% increase in the same quarter of the prior fiscal year, was driven by the slower economic conditions in our markets.
- (5) The decrease in delivery revenues included in Other product sales was largely offset by growth in lawn and garden sales.
- (6) The repair service agreement commissions decrease was driven largely by the decline in product sales. Additionally, increased cancellations of these agreements as a result of higher credit charge-offs reduced the repair service agreement commissions.

(Dollars in Thousands)	2010	2009	Change	
			\$	%
<b>Interest income and fees</b>	\$30,393	\$34,956	(4,563)	(13.1)
<b>Insurance commissions</b>	3,837	4,630	(793)	(17.1)
<b>Other income</b>	250	114	136	119.3
<b>Finance charges and other</b>	\$34,480	\$39,700	(5,220)	(13.1)

Interest income and fees and insurance commissions are included in the Finance charges and other for the credit segment, while Other income is included in Finance charges and other for the retail segment.

The decrease in Interest income and fees of the credit segment resulted primarily as the average interest income and fee yield earned on the portfolio fell from 18.8% for the three months April 30, 2009, to 17.0%, for the three months ended April 30, 2010, and the average balance of customer accounts receivable outstanding fell 3.6%. The interest income and fee yield dropped as a result of the higher level of charge-offs experienced and the reduced volume of new credit accounts originated in the three months ended April 30, 2010, as compared to the same quarter in the prior fiscal year. Insurance commissions of the credit segment declined due primarily to lower retrospective commissions and lower interest earnings on funds held by the insurance company for the payment of claims.



## Table of Contents

The following table provides key portfolio performance information for the three months ended April 30, 2010 and 2009:

	2010	2009
	(Dollars in thousands)	
Interest income and fees (a)	\$ 30,393	\$ 34,956
Net charge-offs (b)	(8,245)	(5,605)
Borrowing costs (c)	(4,796)	(5,022)
Net portfolio yield	<u>\$ 17,352</u>	<u>\$ 24,329</u>
Average portfolio balance	\$715,838	\$742,541
Interest income and fee yield % (annualized)	17.0%	18.8%
Net charge-off % (annualized)	4.6%	3.0%

- (a) Included in Finance charges and other.  
 (b) Included in Provision for bad debts.  
 (c) Included in Interest expense.

(Dollars in Millions)	2010	2009	Change	
			\$	%
<b>Cost of goods sold</b>	\$114.2	\$145.9	(31.7)	(21.7)
Product gross margin percentage	24.1%	21.1%		3.0%

Product gross margin increased as a percent of product sales from the 2009 period to the 2010 period driven by our focus on improving pricing discipline on the sales floor while maintaining competitive pricing in the marketplace.

(Dollars in Millions)	2010	2009	Change	
			\$	%
<b>Cost of service parts sold</b>	\$ 2.4	\$ 2.6	(0.2)	(8.3)
As a percent of service revenues	49.9%	46.7%		3.2%

This decrease was due primarily to a 13.4% decrease in parts sales.

(Dollars in Millions)	2010	2009	Change	
			\$	%
<b>Selling, general and administrative expense — Retail</b>	\$43.2	\$46.8	(3.6)	(7.7)
<b>Selling, general and administrative expense — Credit</b>	\$17.5	\$15.9	1.6	10.1
<b>Selling, general and administrative expense — Total</b>	\$60.7	\$62.7	(2.0)	(3.2)
As a percent of total revenues	30.8%	26.2%		4.6%

During the three months ended April 30, 2010, Selling, general and administrative (SG&A) expense was reduced by \$2.0 million, though it increased as a percent of revenues to 30.8%, from 26.2% in the prior year period, due to the deleveraging effect of the decline in total revenues. The \$2.0 million reduction in SG&A expense was driven primarily by lower compensation and related expense and reduced advertising expense, partially offset by increased amortization expense due to the amendments completed to our credit facilities, higher charges related to the increased use of third-party finance providers and increased use of contract delivery and installation services. The prior year period also included a \$0.5 million charge to increase our litigation reserves.

Significant SG&A expense increases and decreases related to specific business segments included the following:

### Retail Segment

The following are the significant factors affecting the retail segment:

## Table of Contents

- Net advertising expense decreased by approximately \$1.5 million from the 2009 period through improved efficiencies in our advertising program.
- Bank and credit card fees increased by approximately \$1.0 million from the 2009 period, primarily due to the use of the third-party finance providers for certain of our interest-free programs.
- Total compensation costs and related expenses decreased approximately \$4.2 million from the 2009 period, primarily due to reduced commissions payable as a result of reduced sales.
- Contract delivery and installation costs increased approximately \$0.8 million from the 2009 period as we increased our use of third-parties to provide these services.

### **Credit Segment**

The following are the significant factors affecting the credit segment:

- Amortization expense increased approximately \$0.6 million from the 2009 period due to the amendment of our credit facilities.
- Total compensation costs and related expenses increased approximately \$1.0 million from the 2009 period as staffing was increased to address increased levels of delinquencies in the challenging economic environment.

(Dollars in Millions)	2010	2009	Change	
			\$	%
<b>Provision for bad debts</b>	\$6.3	\$5.6	0.7	12.9
As a percent of total revenues	3.2%	2.4%		0.8%

The provision for bad debts is primarily related to the operations of our credit segment, with approximately \$86,000 and \$59,000 for the periods ended April 30, 2010 and 2009, respectively, included in the results of operations for the retail segment.

The Provision for bad debts increased to \$6.3 million for the three months ended April 30, 2010, from \$5.6 million for the same quarter in the prior year period. While our total net charge-offs of customer and non-customer accounts receivable increased by \$2.7 million compared to the first quarter of the prior fiscal year, we experienced an improvement in our credit portfolio performance (specifically, the trends in the delinquency rate, payment rate, net charge-off rate and percent of the portfolio reaged) since the fourth quarter of fiscal 2010. As such, our allowance for bad debts declined approximately \$2.2 million during the three months ended April 30, 2010, after absorbing the higher net charge-offs incurred in the current year quarter.

(Dollars in Thousands)	2010	2009	Change	
			\$	%
<b>Interest expense, net</b>	\$4,785	\$5,004	(219)	(4.4)

The decrease in interest expense was driven by a decrease in outstanding debt balances during the three months ended April 30, 2010, as compared to the same period in the prior fiscal year. The entirety of our interest expense is included in the results of operations of our credit segment.

(Dollars in Millions)	2010	2009	Change	
			\$	%
<b>Provision for income taxes</b>	\$ 3.5	\$ 6.7	(3.2)	(47.9)
As a percent of income before income taxes	38.5%	37.0%		1.5%

The provision for income taxes decreased primarily as a result of the decrease in income before income taxes.

### **Liquidity and Capital Resources**

#### *Current Activities*

We require capital to finance our growth as we add new stores and markets to our operations, which in turn requires additional working capital for increased customer receivables and inventory. We have

## Table of Contents

historically financed our operations through a combination of cash flow generated from earnings and external borrowings, including primarily bank debt, extended terms provided by our vendors for inventory purchases, acquisition of inventory under consignment arrangements and transfers of customer receivables to our asset-backed securitization facilities.

Since we extend credit in connection with a large portion of our retail, repair service agreement and credit insurance sales, we have entered into an asset-based revolving credit facility and created a securitization program to fund the customer receivables generated by the extension of credit. In order to fund the purchases of eligible customer receivables from us, we have issued medium-term and variable funding notes secured by the receivables to third parties to obtain cash for these purchases under the securitization program.

Our \$210 million asset-based revolving credit facility provides funding based on a borrowing base calculation that includes accounts customer receivable and inventory and matures in August 2011. The credit facility bears interest at LIBOR plus a spread ranging from 325 basis points to 375 basis points, based on a fixed charge coverage ratio. In addition to the fixed charge coverage ratio, the revolving credit facility includes a total liabilities to tangible net worth ratio requirement, a minimum customer receivables cash recovery percentage requirement, a net capital expenditures limit and combined portfolio performance covenants. Additionally, the agreement contains cross-default provisions, such that, any default under another of our credit facilities or our VIE's credit facilities would result in a default under this agreement, and any default under this agreement would result in a default under those agreements. We expect, based on current facts and circumstances, that we will be in compliance with the above covenants for the next 12 months.

A summary of the significant financial covenants that govern our revolving credit facility compared to our actual compliance status at April 30, 2010, is presented below:

	Actual	Required Minimum/ Maximum
Fixed charge coverage ratio must exceed required minimum (1)	1.38 to 1.00	1.10 to 1.00
Total liabilities to tangible net worth ratio must be lower than required maximum (1)	1.54 to 1.00	2.00 to 1.00
Cash recovery percentage must exceed required minimum (1)	5.99%	4.75%
Capital expenditures, net must be lower than required maximum	\$6.8 million	\$22.0 million

(1) These covenants are also covenants of our asset-backed securitization credit facilities.

Note: All terms in the above table are defined by the revolving credit facility and may or may not agree directly to the financial statement captions in this document. The covenants are calculated on a trailing four quarter basis, except for the Cash recovery percentage, which is calculated on a trailing three month basis.

The 2002 Series A program functions as a revolving credit facility to fund the transfer of eligible customer receivables. When the facility approaches a predetermined amount, the VIE (Issuer) is required to seek financing to pay down the outstanding balance in the 2002 Series A variable funding note. The amount paid down on the facility then becomes available to fund the transfer of new customer receivables or to meet required principal payments on other series as they become due. The new financing could be in the form of additional notes, bonds or other instruments as the market and transaction documents might allow. Given the current state of the financial markets, especially with respect to asset-backed securitization financing, the Company has been unable to issue medium-term notes or increase the availability under the existing variable funding note program. The 2002 Series A program consists of \$170 million that is renewable annually, at our option, until August 2011 and bears interest at commercial paper rates plus a spread of 250 basis points. The total commitment under the 2002 Series A program was reduced during the quarter from \$200 million at January 31, 2010. Additionally, in connection with recent amendments to the 2002 Series A facility, we agreed to reduce the total available commitment to \$130 million in April 2011. The weighted average interest on the variable funding note during the month of April 2010 was 2.8%. The 2006 Series A program, which was consummated in August 2006, is non-amortizing for the first four years and officially matures in April 2017. However, it is expected that the scheduled \$7.5 million principal payments, which begin in September 2010, will retire the bonds prior to that date. Private institutional investors, primarily insurance companies, purchased the 2006 Series A bonds at a weighted fixed rate of 5.75%. The securitization borrowing agreements contain certain covenants requiring the maintenance of various financial ratios and customer receivables performance standards. If the three-month average net portfolio yield, as

## [Table of Contents](#)

defined by agreements, falls below 5.0%, then the issuer may be required to fund additions to the cash reserves in the restricted cash accounts. The three-month average net portfolio yield was 5.6% at April 30, 2010. The investors and the securitization trustee have no recourse to our other assets for failure of our or the VIE's individual customers to pay when due. If the issuer is unable to repay the 2002 Series A note and 2006 Series A bonds due to its inability to collect the transferred customer accounts, the issuer could not pay the subordinated notes it has issued to us in partial payment for transferred customer accounts, and the 2006 Series A bond holders could claim the balance in its \$6.0 million restricted cash account. We are responsible under a \$20.0 million letter of credit that secures the performance of our obligations or services under the servicing agreement as it relates to the transferred assets that are part of the asset-backed securitization facility.

The various "same as cash" and deferred interest credit programs we offer are eligible for securitization up to the limits provided for in our securitization agreements. This limit is currently 30.0% of eligible securitized receivables. If we exceed this 30.0% limit, we would be required to use some of our other capital resources to carry the unfunded balances of the receivables for the promotional period. The percentage of eligible securitized receivables represented by promotional customer receivables was 12.3% as of April 30, 2010. There is no limitation on the amount of "same as cash" or deferred interest program accounts that can be carried as collateral under the revolving credit facility. The percentage of all managed customer receivables represented by promotional receivables was 13.9% as of April 30, 2010.

The issuer is subject to certain affirmative and negative covenants contained in the transaction documents governing the 2002 Series A variable funding note and 2006 Series A bonds, including covenants that restrict, subject to specified exceptions: the incurrence of non-permitted indebtedness and other obligations and the granting of additional liens; mergers, acquisitions, investments and disposition of assets; and the use of proceeds of the program. The issuer also makes representations and warranties relating to compliance with certain laws, payment of taxes, maintenance of its separate legal entity, preservation of its existence, and protection of collateral and financial reporting.

A summary of the significant financial covenants that govern the 2002 Series A variable funding note compared to actual compliance status at April 30, 2010, is presented below:

	As reported	Required Minimum/Maximum
Issuer interest must exceed required minimum	\$92.1 million	\$74.0 million
Gross loss rate must be lower than required maximum (a)	5.6%	10.0%
Serviced portfolio gross loss rate must be lower than required maximum (b)	5.2%	10.0%
Net portfolio yield must exceed required minimum (a)	5.6%	2.0%
Serviced portfolio net portfolio yield must exceed required minimum (b)	7.3%	2.0%
Payment rate must exceed required minimum (a)	6.5%	3.0%
Serviced portfolio payment rate must exceed required minimum (a)	5.99%	4.75%
Consolidated net worth must exceed required minimum	\$345.4 million	\$253.1 million

(a) Calculated for those customer receivables transferred to the securitization program.

(b) Calculated for the total of customer receivables transferred to the securitization program and those retained by the Company.

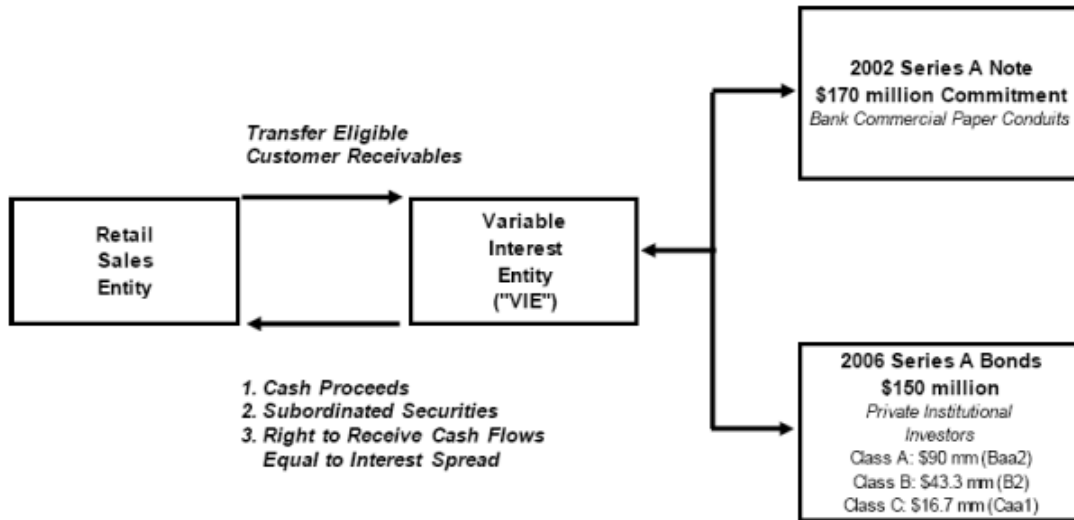
Note: All terms in the above table are defined by the asset backed securitization program and may or may not agree directly to the financial statement captions in this document.

## [Table of Contents](#)

We expect, based on current facts and circumstances, that we will be in compliance with the above covenants for the next 12 months. Events of default under the 2002 Series A variable funding note and the 2006 Series A bonds, subject to grace periods and notice provisions in some circumstances, include, among others: failure of the issuer to pay principal, interest or fees; violation by the issuer of any of its covenants or agreements; inaccuracy of any representation or warranty made by the issuer; certain servicer defaults; failure of the trustee to have a valid and perfected first priority security interest in the collateral; default under or acceleration of certain other indebtedness; bankruptcy and insolvency events; failure to maintain certain loss ratios and portfolio yield; change of control provisions and certain other events pertaining to us. The issuer's obligations under the program are secured by the customer receivables and proceeds.

## Securitization Facilities

*We finance a portion of our eligible customer receivables through asset-backed securitization facilities*



We continue to service the transferred accounts for the VIE, and we receive a monthly servicing fee, so long as we act as servicer, in an amount equal to .25% multiplied by the average aggregate principal amount of customer receivables serviced, including the amount of average aggregate defaulted customer receivables. The issuer records revenues equal to the interest charged to the customer on the receivables less losses, the cost of funds, the program administration fees paid in connection with either the 2002 Series A or 2006 Series A bond holders, the servicing fee and additional earnings to the extent they are available.

In March 2010, we completed amendments to the various borrowing agreements that revised the covenant requirements as of January 31, 2010, and revised certain future covenant requirements. The revised covenant calculations include both the operating results and assets and liabilities of us and the securitization program, effective January 31, 2010, for all financial covenant calculations. In addition to the covenant changes, we also agreed:

- as servicer of the receivables, to implement certain additional collection procedures if certain performance requirements were not maintained,
- to make fee payments to the 2002 Series A facility providers on the amount of the commitment available at specific future dates, and
- to use the proceeds from any capital raising activity we complete to further reduce the commitments and debt outstanding under the securitization program's debt facilities.

As of April 30, 2010, we had additional borrowing capacity of \$55.4 million under our asset-based revolving credit facility, net of standby letters of credit issued, and \$10.0 million under our unsecured bank line of credit immediately available to us for general corporate purposes and extended vendor terms for

## Table of Contents

purchases of inventory. In addition to the \$55.4 million currently available under the revolving credit facility, an additional \$33.5 million may become available as we grow the balance of eligible customer receivables retained by us and total eligible inventory balances. While the credit portfolio performance has improved recently, availability under the asset-based revolving credit facility was reduced by approximately \$1.8 million at April 30, 2010, due to recent level of delinquencies and net charge-offs. This amount may become available in the future if credit portfolio performance continues to improve. The principal payments received on customer receivables held by us and by the VIE, which averaged approximately \$41.8 million per month during the three months ended April 30, 2010, are available each month to fund new customer receivables generated. The weighted average interest rate on borrowings outstanding under the asset-based revolving credit facility at April 30, 2010, was 4.9%, including the interest expense associated with our interest rate swaps.

We will continue to finance our operations and future growth through a combination of cash flow generated from operations and external borrowings, including primarily bank debt, extended vendor terms for purchases of inventory, acquisition of inventory under consignment arrangements and the asset-backed securitization facilities. Based on our current operating plans, we believe that cash generated from operations, available borrowings under our revolving credit facility and unsecured credit line, extended vendor terms for purchases of inventory, acquisition of inventory under consignment arrangements and cash flows from the asset-backed securitization program will be sufficient to fund our operations, store expansion and updating activities and capital programs for at least 12 months, subject to continued compliance with the covenants in our credit facilities. If there is a default under any of the facilities that is not waived by the various lenders, it could result in the requirement to immediately begin repayment of all amounts owed under our credit facilities, as all of the facilities have cross-default provisions that would result in default under all of the facilities if there is a default under any one of the facilities. If the repayment of amounts owed under our credit facilities is accelerated, we may not have sufficient cash and liquid assets at such time to be able to immediately repay all the amounts owed under the facilities.

Both the revolving credit facility and the asset-backed securitization program are significant factors relative to our ongoing liquidity and our ability to meet the cash needs associated with the growth of our business. Our inability to use either of these programs because of a failure to comply with their covenants would adversely affect our business operations. Funding of current and future customer receivables under the borrowing facilities can be adversely affected if we exceed certain predetermined levels of re-aged customer receivables, size of the secondary portfolio, the amount of promotional customer receivables, write-offs, bankruptcies or other ineligible customer receivable amounts.

There are several factors that could decrease cash available, including:

- reduced demand or margins for our products;
- more stringent vendor terms on our inventory purchases;
- loss of ability to acquire inventory on consignment;
- increases in product cost that we may not be able to pass on to our customers;
- reductions in product pricing due to competitor promotional activities;
- changes in inventory requirements based on longer delivery times of the manufacturers or other requirements which would negatively impact our delivery and distribution capabilities;
- increases in the retained portion of our customer receivables portfolio under our current asset-backed securitization program as a result of changes in performance or types of customer receivables transferred (promotional versus non-promotional and primary versus secondary portfolio), or as a result of a change in the mix of funding sources available under the asset-backed securitization program, requiring higher collateral levels, or limitations on our ability to obtain financing through commercial paper-based funding sources;

## Table of Contents

- reduced availability under our asset-based revolving credit facility as a result of borrowing base requirements and the impact on the borrowing base calculation of changes in the performance or eligibility of the customer receivables financed by that facility;
- reduced availability under our revolving credit facility or asset-backed securitization financing facilities as a result of non-compliance with the covenant requirements;
- reduced availability under our revolving credit facility or asset-backed securitization financing facilities as a result of the inability of any of the financial institutions providing those facilities to fund their commitment,
- reductions in the capacity or inability to expand the capacity available for financing our customer receivables portfolio under existing or replacement asset-backed securitization programs or a requirement that we retain a higher percentage of the credit portfolio under such programs;
- increases in borrowing costs (interest and administrative fees relative to our customer receivables portfolio associated with the funding of our customer receivables);
- increases in personnel costs or other costs for us to stay competitive in our markets; and
- inability to renew or replace all or a portion of our current credit facilities at their annual maturity dates. Our asset-based revolving credit facility and the revolving facility of our securitization program mature in August 2011. The medium term notes issued under the securitization program begin repayment in September 2010 and we expect them to be fully repaid by April 2012.

We are discussing various options to renew or replace our existing credit facilities, including exploring opportunities to raise capital in the various debt and equity capital markets. If we are unable to renew or replace our existing credit facilities we could be required to further reduce the size of the customer credit portfolio in order to repay the amounts outstanding under our credit facilities. In order to reduce the size of the credit portfolio we would be required to reduce, or possibly cease, originating new customer receivables until the amounts due under our credit facilities are repaid. If necessary, in addition to available cash balances, cash flow from operations and borrowing capacity under our revolving facilities, additional cash to fund our growth and increases in customer receivables balances could be obtained by:

- reducing capital expenditures for new store openings,
- reducing the size of our customer credit portfolio;
- taking advantage of longer payment terms and financing available for inventory purchases,
- utilizing other sources for providing financing to our customers,
- negotiating to expand the capacity available under existing credit facilities, and
- accessing equity or debt markets.

We can provide no assurance that we will be able to obtain these sources of funding on favorable terms, if at all.

During the three months ended April 30, 2010, net cash provided by operating activities decreased from \$48.7 million provided by operating activities during the three months ended April 30, 2009, to \$29.2 million provided by operating activities. The decline was driven primarily by:

- cash used for the growth in inventory and other accounts receivable and lower net income,
- partially offset by cash provided from growth in accounts payable, to support the inventory growth, and an increase in cash received from the decrease in customer accounts receivable and cash from income taxes, which was driven by a \$9.5 million tax refund received during the quarter.

In addition to net income and depreciation and amortization, operating cash flows for the current period were impacted primarily by:



## Table of Contents

- the decrease in customer accounts receivable, which drove a \$25.5 million increase in operating cash flows,
- a \$9.5 million income tax refund received that contributed to the \$13.1 million increase in operating cash flows from income taxes payable, and
- a \$25.4 million increase in inventory, that was partially offset by a \$15.3 million increase in accounts payable, resulting in a net reduction of operating cash flows of \$10.1 million.

Net cash used in investing activities decreased from \$3.8 million used in the fiscal 2010 period to \$0.2 million used in the fiscal 2011 period. The net decrease in cash used in investing activities resulted primarily from a decline in purchases of property and equipment in the current year period, as we reduced capital expenditures while we assess capital availability for growth in the credit portfolio, store remodels and new store openings. We estimate that our total capital expenditures for fiscal 2011 will be approximately \$5 million to \$10 million, based on our current plans, which could change based on capital availability.

Net cash from financing activities decreased from \$49.8 million used during the three months ended April 30, 2009, to \$35.6 million used during the three months ended April 30, 2010. During the quarter ended April 30, 2010, we used cash flows from customer accounts receivable collections, net income and a tax refund, net of other working capital changes, to pay down amounts owed under our financing facilities. Additionally, we paid approximately \$3.1 million in deferred financing costs, primarily related to the credit facility amendments we completed during the quarter.

### **Item 3. Quantitative and Qualitative Disclosures About Market Risk**

Interest rates under our revolving credit facility are variable and are determined, at our option, as the base rate, which is the prime rate plus the base rate margin, which ranges from 3.25% to 3.75%, or LIBOR plus the LIBOR margin, which ranges from 3.25% to 3.75%. Interest rates under our securitization program's variable funding note facility are variable and are determined based on the commercial paper rate plus a spread of 2.50%. Accordingly, changes in the prime rate, the commercial paper rate or LIBOR, which are affected by changes in interest rates generally, will affect the interest rate on, and therefore our costs under, these credit facilities.

Since January 31, 2010, the securitization program's variable rate debt has decreased from \$196.4 million, or 56.7% of its total debt, to \$170.0 million, or 53.1% of its total debt. As a result, a 100 basis point increase in interest rates on the variable rate debt would increase borrowing costs \$1.7 million over a 12-month period, based on the balance outstanding at April 30, 2010.

Since January 31, 2010, the balance outstanding under our asset-based revolving credit facility has decreased from \$105.5 million to \$99.4 million at April 30, 2010. Additionally, since January 31, 2010, the notional balance of interest swaps used to fix the rate on a portion of asset-based revolving credit facility balance has decreased from \$40 million to \$25 million at April 30, 2010. As a result, a 100 basis point increase in interest rates on the asset-based revolving credit facility would increase our borrowing costs by \$0.7 million over a 12-month period, based on the balance outstanding at April 30, 2010, after considering the impact of the interest rate swaps.

### **Item 4. Controls and Procedures**

Based on management's evaluation (with the participation of our Chief Executive Officer (CEO) and Chief Financial Officer (CFO)), as of the end of the period covered by this report, our CEO and CFO have concluded that our disclosure controls and procedures (as defined in Rules 13a-15(e) and 15d-15(e) under the Securities Exchange Act of 1934, as amended (the Exchange Act)), are effective to ensure that information required to be disclosed by us in reports that we file or submit under the Exchange Act is recorded, processed, summarized, and reported within the time periods specified in SEC rules and forms, and is accumulated and communicated to management, including our principal executive officer and principal financial officer, as appropriate to allow timely decisions regarding required disclosure.

For the quarter ended April 30, 2010, there have been no changes in our internal controls over financial reporting (as defined in Rule 13a-15(f) under the Securities Exchange Act of 1934) that have materially affected, or are reasonably likely to materially affect, our internal controls over financial reporting.



## PART II — OTHER INFORMATION

### Item 1. Legal Proceedings

On June 7, 2010, the judge in the Texas State District Court of Harris County, Texas, signed an Order confirming the terms and conditions of the Rule 11 Settlement Agreement between us and the Texas Attorney General, fully and finally resolving the litigation filed against us by the Texas Attorney General, which alleged unlawful and deceptive practices in violation of the Texas Deceptive Trade Practices-Consumer Protection Act. Under the terms of the Settlement and the Order we did not admit, and continue to deny, any wrongdoing. As part of the Order confirming the settlement agreement, we made two cash payments, one in the amount of \$2.5 million on December 17, 2009 and a second payment in the amount of \$2.0 million on February 18, 2010, to the Texas Attorney General for distribution to consumers as restitution for claims our customers have. We also paid \$250,000 to the Texas Attorney General for its attorney's fees, and agreed to and did donate \$100,000 to the University of Houston Law Center for its use in its consumer protection programs.

We are involved in routine litigation and claims incidental to our business from time to time, and, as required, have accrued our estimate of the probable costs for the resolution of these matters. These estimates have been developed in consultation with counsel and are based upon an analysis of potential results, assuming a combination of litigation and settlement strategies. It is possible, however, that future results of operations for any particular period could be materially affected by changes in our assumptions or the effectiveness of our strategies related to these proceedings. However, the results of these proceedings cannot be predicted with certainty, and changes in facts and circumstances could impact our estimate of reserves for litigation.

### Item 1A. Risk Factors

*An investment in our common stock involves risks and uncertainties. You should consider carefully the following information about these risks and uncertainties before buying shares of our common stock. The occurrence of any of the risks described below could adversely affect our business prospects, financial condition or results of operations. In that case, the trading price of our stock could decline, and you could lose all or part of the value of your investment.*

#### **We have significant future capital needs and the inability to obtain funding for our credit operations may adversely affect our business and expansion plans.**

We currently finance our customer receivables through asset-backed securitization facilities and an asset-based loan facility that together provide \$530.0 million in financing commitments as of April 30, 2010. The securitization facilities provide two separate series of asset-backed notes that allowed us as of April 30, 2010, to borrow up to \$320.0 million to finance customer receivables. Our asset-based revolving credit facility currently is a \$210.0 million facility. At April 30, 2010, under our revolving credit facility, we had the ability to borrow \$176.5 million, of which we had drawn \$99.4 million and \$21.7 million of outstanding letters of credit.

Our ability to raise additional capital through future securitization transactions or other debt or equity transactions, and to do so on economically favorable terms, depends in large part on factors that are beyond our control.

These factors include:

- conditions in the securities and finance markets generally;
- our credit rating or the credit rating of any securities we may issue;
- economic conditions;
- conditions in the markets for securitized instruments, or other debt or equity instruments;
- the credit quality and performance of our customer receivables;
- our overall sales performance and profitability;

## Table of Contents

- our ability to obtain financial support for required credit enhancement;
- our ability to adequately service our financial instruments;
- the absence of any material downgrading or withdrawal of ratings given to our securities previously issued in securitization;
- our ability to meet debt covenant requirements; and
- prevailing interest rates.

If adequate capital and funds are not available at the time we need capital, we will have to curtail future growth, which could materially adversely affect our business, financial condition, operating results or cash flow. As we grow our business, capital expenditures during future years are likely to exceed our historical capital expenditures. The ultimate amount of capital expenditures needed will be dependent on, among other factors, the availability of capital to fund new store openings and customer receivables portfolio.

In addition, we historically used our customer receivables collateral to raise funds through securitization programs. In addition, we have in the past completed amendments to our existing credit facilities and securitization facilities to obtain relief from covenant violations and revise certain covenant requirements. If we require amendments in the future and are unable to obtain such amendments or we are unable to arrange substitute financing facilities or other sources of capital, we may have to limit or cease offering credit through our finance programs due to our inability to draw under our revolving credit facility upon the occurrence of a default. If availability under the borrowing base calculations of our revolving credit facility is reduced, or otherwise becomes unavailable, or we are unable to arrange substitute financing facilities or other sources of capital, we may have to limit the amount of credit that we make available through our customer finance programs. A reduction in our ability to offer customer credit will adversely affect revenues and results of operations and could have a material adverse effect on our results of operations. Further, our inability or limitations on our ability to obtain funding through securitization facilities or other sources may adversely affect the profitability of outstanding accounts under our credit programs if existing customers fail to repay outstanding credit due to our refusal to grant additional credit.

Additionally, the inability of any of the financial institutions providing our financing facilities to fund their commitment would adversely affect our ability to fund our credit programs, capital expenditures and other general corporate needs.

### **Increased borrowing costs will negatively impact our results of operations.**

Because most of our customer receivables have interest rates equal to the highest rate allocated under applicable law, we will not be able to pass these higher borrowing costs along to our customers and our results of operations will be negatively impacted.

In addition, the interest rates on our revolving credit facility and the 2002 Series A program under our asset-backed securitization facility fluctuate upon or down based upon the LIBOR rate, the prime rate of our administrative agent or the federal funds rate in the case of the revolving credit facility and the commercial paper rate in the case of the 2002 Series A program. The level of interest rates in the market in general will impact the interest rate on any debt instruments issued, if any. Additionally, we may issue debt securities or enter into credit facilities under which we pay interest at a higher rate than we have historically paid, which would further reduce our margins and negatively impact our results of operations.

### **We may not be able to open and profitably operate new stores in existing, adjacent and new geographic markets.**

Dependent on capital availability, we intend to reinstate our new store opening program. New stores are not likely to be profitable on an operating basis during the first three to six months after they open and even after that time period may not be profitable or meet our goals. Any of these circumstances could have a material adverse effect on our financial results. There are a number of factors that could affect our ability to open and operate new stores consistent with our business plan, including:

## Table of Contents

- the availability of additional financial resources;
- the availability of favorable sites in existing adjacent and new markets at price levels consistent with our business plan;
- competition in existing, adjacent and new markets;
- competitive conditions, consumer tastes and discretionary spending patterns in adjacent and new markets that are different from those in our existing markets;
- a lack of consumer demand for our products or financing programs at levels that can support new store growth;
- inability to make customer financing programs available that allow consumer to purchase products at levels that can support new store growth;
- limitations created by covenants and conditions under our revolving credit facility and asset-backed securitization program;
- an inability or unwillingness of vendors to supply product on a timely basis at competitive prices;
- the failure to open enough stores in new markets to achieve a sufficient market presence and realize the benefits of leveraging our advertising and our distribution system;
- unfamiliarity with local real estate markets and demographics in adjacent and new markets;
- problems in adapting our distribution and other operational and management systems to an expanded network of stores;
- difficulties associated with the hiring, training and retention of additional skilled personnel, including store managers; and
- higher costs for print, radio and television advertising.

These factors may also affect the ability of any newly opened stores to achieve sales and profitability levels comparable with our existing stores or to become profitable at all.

### **If we are unable to manage our growing business, our revenues may not increase as anticipated, our cost of operations may rise and our results of operations may decline.**

We face many business risks associated with growing companies, including the risk that our management, financial controls and information systems will be inadequate to support our expansion in the future. Our growth will require management to expend significant time and effort and additional resources to ensure the continuing adequacy of our financial controls, operating procedures, information systems, product purchasing, warehousing and distribution systems and employee training programs. We cannot predict whether we will be able to manage effectively these increased demands or respond on a timely basis to the changing demands that our expansion will impose on our management, financial controls and information systems. If we fail to manage successfully the challenges of growth, do not continue to improve these systems and controls or encounter unexpected difficulties during expansion, our business, financial condition, operating results or cash flows could be materially adversely affected.

### **We may expand our retail offerings which may have different operating or legal requirements than our current operations.**

In addition to the retail and consumer finance products we currently offer, we may offer other products and services in the future, including "rent-to-own" sales. These products and services may require additional or different operating systems or have additional or different legal or regulatory requirements than the products

and services we currently offer. In the event we undertake such an expansion and do not have the proper infrastructure or personnel, or do not successfully execute such an expansion, our business, financial condition, operating results or cash flows could be materially adversely affected.

**A decrease in our credit sales or a decline in credit quality could lead to a decrease in our product sales and profitability.**

In the last three fiscal years, we financed, on average, approximately 61% of our retail sales through our in-house propriety credit programs. Our ability to provide credit as a financing alternative for our customers depends on many factors, including the quality of our customer receivable portfolio. Payments on some of our credit accounts become delinquent from time to time, and some accounts end up in default, due to several factors, such as general and local economic conditions, including the impact of rising interest rates and unemployment rates. As we expand into new markets, we will obtain new credit accounts that may present a higher risk than our existing credit accounts since new credit customers do not have an established credit history with us. A general decline in the quality of our customer receivable portfolio could lead to a reduction in the advance rates used or eligible customer receivable balances included in the borrowing base calculations under our revolving credit facility and thus a reduction of available credit to fund our finance operations. As a result, if we are required to reduce the amount of credit we grant to our customers, we most likely would sell fewer products, which would adversely affect our earnings and cash flows. Further, because approximately 60% of our credit customers have historically made their credit account payments in our stores, any decrease in credit sales could reduce traffic in our stores and lower our revenues. A decline in the credit quality of our credit accounts could also cause an increase in our credit losses, which would result in an adverse effect on our earnings. A decline in credit quality could also lead to stricter underwriting criteria which would likely have a negative impact on net sales.

**Deterioration in the performance of our customer receivables portfolio could significantly affect our liquidity position and profitability.**

Our liquidity position and profitability are heavily dependent on our ability to collect our customer receivables. If our customer receivables portfolio were to substantially deteriorate, the liquidity available to us would most likely be reduced due to the challenges of complying with the covenants and borrowing base calculations under our revolving credit facility and our earnings may decline due to higher provisions for bad debt expense, higher net charge-off rates and lower interest and fee income. In addition, a significant percentage of our current net income and cash flows is derived from our credit operations and the ability to grow our credit portfolio is important to our future success.

**Our ability to collect from credit customers may be materially impaired by store closings and our need to rely on a replacement servicer in the event of our liquidation.**

We may be unable to collect a large portion of periodic credit payments should our stores close as many of our customers remit payments "in store". During the course of fiscal 2010, approximately 60% of our active credit customers made a payment in one of our stores. In the event of store closings, credit customers may not pay balances in a timely fashion, or may not pay at all, since a large number of our customers have not traditionally made payments to a central location.

In addition, we service all of our credit customers through our in-house servicing operation. At this time, there is not a formalized back-up servicer plan in place for our customer receivables. In the event of our liquidation, a servicing arrangement would have to be implemented, which could materially impact the collection of our customer receivables.

**In deciding whether to extend credit to customers, we rely on the accuracy and completeness of information furnished to us by or on behalf of our credit customers. If we and our systems are unable to detect any misrepresentations in this information, this could have a material adverse effect on our results of operations and financial condition.**

In deciding whether to extend credit to customers, we rely heavily on information furnished to us by or on behalf of our credit customers and our ability to validate such information through third-party services, including employment and personal financial information. If a significant percentage of our credit customers intentionally or negligently misrepresented any of this information, and we and our systems did not detect such misrepresentations, this could have a material adverse effect on our ability to effectively manage our credit risk, which could have a material adverse effect on our results of operations and financial condition.

**Our policy of reaging certain delinquent borrowers affects our delinquency statistics and the timing and amount of our write-offs.**

As of April 30, 2010, 19.1% of our credit portfolio consisted of “reaged” customer receivables. Reaging is offered to certain eligible past due customers if they meet the conditions of our reage policy. Our decision to offer a delinquent customer a reage program is based on that borrower’s specific condition, our history with the borrower, the amount of the loan and various other factors. When we reage a customer’s account, we move the account from a delinquent status to a current status. Management exercises a considerable amount of discretion over the reaging process and has the ability to reage an account multiple times during its life. Treating an otherwise uncollectible account as current affects our delinquency statistics, as well as impacting the timing and amount of charge-offs. If these accounts had been charged off sooner, our net loss rates might have been higher.

**If we fail to timely contact delinquent borrowers, then the number of delinquent customer receivables eventually being charged off could increase.**

We contact customers with delinquent credit account balances soon after the account becomes delinquent. During periods of increased delinquencies it is important that we are proactive in dealing with borrowers rather than simply allowing customer receivables to go to charge-off. Historically, when our servicing becomes involved at an earlier stage of delinquency with credit counseling and workout programs, there is a greater likelihood that the customer receivable will not be charged off.

During periods of increased delinquencies, it becomes extremely important that we are properly staffed and trained to assist borrowers in bringing the delinquent balance current and ultimately avoiding charge-off. If we do not properly staff and train our collections personnel, then the number of accounts in a delinquent status or charged-off could increase. In addition, managing a substantially higher volume of delinquent customer receivables typically increases our operational costs. A rise in delinquencies or charge-offs could have a material adverse effect on our business, financial condition, liquidity and results of operations.

**We rely on internal models to manage risk and to provide accounting estimates. Our results could be adversely affected if those models do not provide reliable accounting estimates or predictions of future activity.**

We make significant use of business and financial models in connection with our efforts to measure and monitor our risk exposures and to manage our credit portfolio. For example, we use models as a basis for credit underwriting decisions, portfolio delinquency, charge-off and collection expectations and other market risks, based on economic factors and our experience. The information provided by these models is used in making business decisions relating to strategies, initiatives, transactions and pricing, as well as our provisions for bad debt expense and the size of our allowance for doubtful accounts, among other accounting estimates.

Models are inherently imperfect predictors of actual results because they are based on historical data available to us and our assumptions about factors such as credit demand, payment rates, default rates, delinquency rates and other factors that may overstate or understate future experience. Our models could produce unreliable results for a number of reasons, including the limitations of historical data to predict results due to unprecedented events or circumstances, invalid or incorrect assumptions underlying the models, the need for manual adjustments in response to rapid changes in economic conditions, incorrect coding of the models, incorrect data being used by the models or inappropriate application of a model to products or events outside of the model’s intended use. In particular, models are less dependable when the economic environment is outside of historical experience, as has been the case recently.

In addition, we continually receive new economic data. Our critical accounting estimates, such as our provision for bad debt expense and the size of our allowance for doubtful accounts, are subject to change, often significantly, due to the nature and magnitude of changes in economic conditions. However, there is generally a lag between the availability of this economic information and the preparation of our consolidated financial statements. When economic conditions change quickly and in unforeseen ways, there is a risk that the assumptions and inputs reflected in our models are not representative of current economic conditions.

## [Table of Contents](#)

Due to the factors described above and in “Management’s discussion and analysis of financial condition and results of operations” and elsewhere in this report, we may be required or may deem it necessary to increase our allowance for doubtful accounts in the future. Increasing our allowance for doubtful accounts would adversely affect our results of operations and our financial position.

The dramatic changes in the economy, credit and capital markets have required frequent adjustments to our models and the application of greater management judgment in the interpretation and adjustment of the results produced by our models. This application of greater management judgment reflects the need to take into account updated information while continuing to maintain controlled processes for model updates, including model development, testing, independent validation and implementation. As a result of the time and resources, including technical and staffing resources, that are required to perform these processes effectively, it may not be possible to replace existing models quickly enough to ensure that they will always properly account for the impacts of recent information and actions.

**The current economic downturn has affected consumer purchases of discretionary items from us as well as their ability to repay their credit obligations to us, which could have a continued or prolonged negative effect on our net sales, gross margins and credit portfolio performance.**

A significant portion of our net sales represent discretionary spending by our customers. Many factors affect spending, including regional or world events, war, conditions in financial markets, general business conditions, interest rates, inflation, energy and gasoline prices, consumer debt levels, the availability of consumer credit, taxation, unemployment trends and other matters that influence consumer confidence and spending. Our customers’ purchases of discretionary items, including our products, decline during periods when disposable income is lower or periods of actual or perceived unfavorable economic conditions. If this occurs, our net sales and results of operations would decline.

Recent turmoil in the national economy, including instability in the financial markets, declining consumer confidence and falling oil prices have negatively impacted our markets and present significant challenges to our operations in the coming quarters. Specifically, sales volumes and gross profit margins have been negatively impacted, and thus negatively impacted our overall profitability and liquidity, and these effects may continue for several additional fiscal quarters. Also, the declining economic conditions in our markets have impacted our customers’ ability to repay their credit obligations to us and thus our credit portfolio performance, including, net charge offs and delinquency trends, and we experienced significant declines in same-store sales. These factors led to a net operating loss in the second half of fiscal 2010, and as a result, we entered into amendments to our revolving credit facility and our securitization facilities to modify our covenants. If these conditions persist, we may incur further operating losses in the future and we may be required to seek covenant relief under our revolving credit facility and our securitization facilities, curtail our expansion plans, sell assets and take other measures to continue our access to capital.

**We face significant competition from national, regional, local and Internet retailers of home appliances, consumer electronics and furniture.**

The retail market for consumer electronics is highly fragmented and intensely competitive and the market for home appliances is concentrated among a few major dealers. We currently compete against a diverse group of retailers, including national mass merchants such as Sears, Wal-Mart, Target, Sam’s Club and Costco, specialized national retailers such as Best Buy and Rooms To Go, home improvement stores such as Lowe’s and Home Depot, and locally-owned regional or independent retail specialty stores that sell home appliances, consumer electronics and furniture similar, and often identical, to those items we sell. We also compete with retailers that market products through store catalogs and the Internet. In addition, there are few barriers to entry into our current and contemplated markets, and new competitors may enter our current or future markets at any time.

We may not be able to compete successfully against existing and future competitors. Some of our competitors have financial resources that are substantially greater than ours and may be able to purchase inventory at lower costs and better endure economic downturns. As a result, our sales may decline if we cannot offer competitive prices to our customers or we may be required to accept lower profit margins. Our competitors may respond more quickly to new or emerging technologies and may have greater resources to

## [Table of Contents](#)

devote to promotion and sale of products and services. If two or more competitors consolidate their businesses or enter into strategic partnerships, they may be able to compete more effectively against us.

Our existing competitors or new entrants into our industry may use a number of different strategies to compete against us, including:

- expansion by our existing competitors or entry by new competitors into markets where we currently operate;
- entering the television market as the decreased size of flat-panel televisions allows new entrants to display and sell these product more easily;
- lower pricing;
- aggressive advertising and marketing;
- extension of credit to customers on terms more favorable than we offer;
- larger store size, which may result in greater operational efficiencies, or innovative store formats; and
- adoption of improved retail sales methods.

Competition from any of these sources could cause us to lose market share, sales and customers, increase expenditures or reduce prices, any of which could have a material adverse effect on our results of operations.

### **If new products are not introduced or consumers do not accept new products, our sales may decline.**

Our ability to maintain and increase sales depends to a large extent on the periodic introduction and availability of new products and technologies. We believe that the introduction and continued growth in consumer acceptance of new or enhanced products, such as digital Blu-ray players and digital, high-definition televisions, will have a significant impact on our ability to increase sales. These products are subject to significant technological changes and pricing limitations and are subject to the actions and cooperation of third parties, such as movie distributors and television and radio broadcasters, all of which could affect the success of these and other new consumer electronics technologies. It is possible that new products will never achieve widespread consumer acceptance or will be supplanted by alternative products and technologies that do not offer us a similar sales opportunity or are sold at lower price points or margins.

### **If we fail to anticipate changes in consumer preferences, our sales will decline.**

Our products must appeal to a broad range of consumers whose preferences cannot be predicted with certainty and are subject to change. Our success depends upon our ability to anticipate and respond in a timely manner to trends in consumer preferences relating to home appliances, consumer electronics and furniture. If we fail to identify and respond to these changes, our sales of these products will decline. In addition, we often make commitments to purchase products from our vendors up to six months in advance of proposed delivery dates. Significant deviation from the projected demand for products that we sell may have a material adverse effect on our results of operations and financial condition, either from lost sales or lower margins due to the need to reduce prices to dispose of excess inventory.

### **We may experience significant price pressures over the life cycle of our products from competing technologies and our competitors and we may not be able to maintain our historical gross margin levels.**

Prices for many of our products decrease over their life cycle. Such decreases often result in decreased gross profit margins for us. There is also substantial and continuing pressure from customers to reduce their total costs for products. Suppliers may also seek to reduce our margins on the sales of their products in order to increase their own profitability. The consumer electronics industry depends on new products to drive same store sales increases. Typically, these new products, such as high-definition and 3-D televisions, Blu-



ray and DVD players, digital cameras, MP3 players and GPS devices are introduced at relatively high price points that are then gradually reduced as the product becomes mainstream. To sustain positive same store sales growth, unit sales must increase at a rate greater than the decline in product prices. The affordability of the product helps drive the unit sales growth. However, as a result of relatively short product life cycles in the consumer electronics industry, which limit the amount of time available for sales volume to increase, combined with rapid price erosion in the industry, retailers are challenged to maintain overall gross margin levels and positive same store sales. This has historically been our experience, and we continue to adjust our marketing strategies to address this challenge through the introduction of new product categories and new products within our existing categories. Gross margins realized on product sales fell from 24.2% in fiscal year 2008 to 19.5% in fiscal year 2010. If we fail to accurately anticipate the introduction of new technologies, we may possess significant amounts of obsolete inventory that can only be sold at substantially lower prices and profit margins than we anticipated. In addition, we may not be able to maintain our historical margin levels in the future due to increased sales of lower margin products such as personal electronics products and declines in average selling prices of key products. If sales of lower margin items continue to increase and replace sales of higher margin items or our consumer electronics products average selling prices decreases due to the maturity of their life cycle, our gross margin and overall gross profit levels will be adversely affected.

**A disruption in our relationships with, or in the operations of, any of our key suppliers could cause our sales to decline.**

The success of our business and growth strategies depends to a significant degree on our relationships with our suppliers, particularly our brand name suppliers such as General Electric, Whirlpool, Frigidaire, Friedrich, Maytag, LG, Mitsubishi, Panasonic, Samsung, Sony, Toshiba, Bose, Canon, JVC, Serta, Spring Air, Ashley, Lane, Broyhill, Jackson Furniture, Franklin, Hewlett Packard, Compaq, Poulan, Husqvarna and Toro. We do not have long term supply agreements or exclusive arrangements with the majority of our vendors. We typically order our inventory and repair parts through the issuance of individual purchase orders to vendors. We also rely on our suppliers for cooperative advertising support. We may be subject to rationing by suppliers with respect to a number of limited distribution items. In addition, we rely heavily on a relatively small number of suppliers. Our top five suppliers represented 51.7% of our purchases for fiscal 2010, and the top two suppliers represented approximately 23.3% of our total purchases. The loss of any one or more of these key vendors or failure to establish and maintain relationships with these and other vendors, and limitations on the availability of inventory or repair parts could have a material adverse effect on our results of operations and financial condition. If one of our vendors were to go out of business, it could have a material adverse effect on our results of operations and financial condition if such vendor is unable to fund amounts due to us, including payments due for returns of product and warranty claims.

Our ability to enter new markets successfully depends, to a significant extent, on the willingness and ability of our vendors to supply merchandise to additional warehouses or stores. If vendors are unwilling or unable to supply some or all of their products to us at acceptable prices in one or more markets, our results of operations and financial condition could be materially adversely affected.

Furthermore, we rely on credit from vendors to purchase our products. As of April 30, 2010, we had \$55.2 million in accounts payable and \$88.9 million in merchandise inventories. A substantial change in credit terms from vendors or vendors' willingness to extend credit to us, including providing inventory under consignment arrangements, would reduce our ability to obtain the merchandise that we sell, which would have a material adverse effect on our sales and results of operations.

Our vendors also supply us with marketing funds and volume rebates. If our vendors fail to continue these incentives it could have a material adverse effect on our sales and results of operations.

**You should not rely on our comparable store sales as an indication of our future results of operations because they fluctuate significantly.**

Our historical same store sales growth figures have fluctuated significantly from quarter to quarter. For example, same store sales growth for each of the quarters of fiscal 2010 and the first quarter of fiscal 2011 was -4.6%, -5.2%, -9.3%, -31.7% and -19.7%, respectively, while same store sales growth for each of the



## Table of Contents

quarters for fiscal 2009 was 1.0%, -1.4%, -5.8%, and 12.5%, respectively. A number of factors have historically affected, and will continue to affect, our comparable store sales results, including:

- changes in competition, such as pricing pressure, and the opening of new stores by competitors in our markets;
- general economic conditions;
- new product introductions;
- consumer trends;
- changes in our merchandise mix;
- changes in the relative sales price points of our major product categories;
- ability to offer credit programs attractive to our customers;
- the impact of any new stores on our existing stores, including potential decreases in existing stores' sales as a result of opening new stores;
- weather conditions in our markets;
- timing of promotional events;
- timing, location and participants of major sporting events;
- reduction in new store openings;
- the percentage of our stores that are mature stores;
- the locations of our stores and the traffic drawn to those areas:
- how often we update our stores; and
- our ability to execute our business strategy effectively.

Changes in our quarterly and annual comparable store sales results could cause the price of our common stock to fluctuate significantly.

### **We experience seasonal fluctuations in our sales and quarterly results.**

We typically experience seasonal fluctuations in our net sales and operating results, with the quarter ending January 31, which includes the holiday selling season, generally accounting for a larger share of our net sales and net income. We also incur significant additional expenses during such fiscal quarter due to higher purchase volumes and increased staffing. If we miscalculate the demand for our products generally or for our product mix during the fiscal quarter ending January 31, or if we experience adverse events, such as bad weather in our markets during our fourth fiscal quarter, our net sales could decline, resulting in excess inventory or increased sales discounts to sell excess inventory, which would harm our financial performance. A shortfall in expected net sales, combined with our significant additional expenses during this fiscal quarter, could cause a significant decline in our operating results and such sales may not be deferred to future periods.

### **Our business could be adversely affected by changes in consumer protection laws and regulations.**

Federal and state consumer protection laws and regulations, such as the Fair Credit Reporting Act, limit the manner in which we may offer and extend credit. Because our customers finance through our credit segment

a substantial portion of our sales, any adverse change in the regulation of consumer credit could adversely affect our total sales and gross margins. For example, new laws or regulations could limit the amount of interest or fees that may be charged on consumer credit accounts, including by reducing the maximum interest rate that can be charged in the states in which we operate, or restrict our ability to collect on account balances, which would have a material adverse effect on our cash flow and results of operations. Compliance with existing and future laws or regulations, including regulations that may be applicable to us under the Dodd-Frank Wall Street Reform and Consumer Protection Act, which is expected to be enacted into law in July 2010, could require us to make material expenditures, in particular personnel training costs, or otherwise adversely affect our business or financial results. Failure to comply with these laws or regulations, even if inadvertent, could result in negative publicity, fines or additional licensing expenses, any of which could have an adverse effect on our cash flow and results of operations.

**Pending litigation relating to the sale of credit insurance and the sale of repair service agreements in the retail industry could adversely affect our business.**

We understand that states' attorneys general and private plaintiffs have filed lawsuits against other retailers relating to improper practices conducted in connection with the sale of credit insurance in several jurisdictions around the country. We offer credit insurance in our stores on sales financed under our credit programs and require the customer to purchase property insurance from us or provide evidence from a third party insurance provider, at their election, in connection with sales of merchandise on installment credit; therefore, similar litigation could be brought against us. While we believe we are in full compliance with applicable laws and regulations, if we are found liable in any future lawsuit regarding credit insurance or repair service agreements, we could be required to pay substantial damages or incur substantial costs as part of an out-of-court settlement or require us to modify or suspend certain operations any of which could have a material adverse effect on our results of operations. An adverse judgment or any negative publicity associated with our repair service agreements or any potential credit insurance litigation could also affect our reputation, which could have a negative impact on our cash flow and results of operations.

**Adverse or negative publicity, including the publicity related to the settlement of the lawsuit filed against us by the Texas Attorney General, could cause our business to suffer or result in copycat lawsuits.**

Any negative publicity associated with the settlement of the lawsuit filed against us by the Texas Attorney General or our repair service agreements or our product replacement agreements or any other negative publicity could adversely affect our reputation and negatively impact our sales and results of operations. On November 24, 2009, we settled litigation filed against us earlier in the year by the Texas Attorney General. The suit alleged that we engaged in deceptive trade practices in violation of the Texas Deceptive Trade Practices-Consumer Protection Act regarding our service maintenance and product replacement agreement business activities. The Attorney General alleged, among other things, that we failed to honor product maintenance and replacement agreements, misled customers about the nature of our product maintenance and replacement arrangements, and engaged in false advertising with respect to our product maintenance and replacement agreements. We denied those allegations in our answer to the suit and, under the terms of the settlement with the Texas Attorney General, we continue to deny any wrongdoing. However, the negative publicity associated with this settlement or our service maintenance and replacement program agreements could adversely affect our reputation and negatively impact our net sales.

**The Texas Attorney General's lawsuit and the resulting changes to our operations could materially adversely affect our results of operations and financial position.**

Under our settlement agreement with the Texas Attorney General relating to litigation filed against us in May of last year, we consented to certain changes made to the service agreements and replacement product plan agreements that we sell for a third party insurer and to strengthen the manner in which we market and service these programs. The impact of the changes in these programs is unknown and could materially and adversely affect our results of operations.

**Our corporate actions may be substantially controlled by our principal shareholders and affiliated entities.**

As of April 1, 2010, two of our stockholders and their affiliated entities beneficially owned approximately 23.35% and 25.66%, respectively, of our common stock and their interests may conflict with the will or interests of our other equityholders. While Stephens Inc. and its affiliates hold their 23.35% of our common stock through a voting trust that will vote the shares in the same proportion as votes cast by all other stockholders, this voting trust agreement will expire in 2013 and at such time Stephens Inc. and its affiliates will not be restricted on how it votes its shares. These stockholders, acting individually or as a group, could exert substantial influence over matters such as electing directors and approving mergers or other business combination transactions.

**If we lose key management or are unable to attract and retain the qualified sales and credit granting and collection personnel required for our business, our operating results could suffer.**

Our future success depends to a significant degree on the skills, experience and continued service of our key executives or the identification of suitable successors for them. If we lose the services of any of these individuals, or if one or more of them or other key personnel decide to join a competitor or otherwise compete directly or indirectly with us, and we are unable to identify a suitable successor, our business and operations could be harmed, and we could have difficulty in implementing our strategy. In addition, as our business grows, we will need to locate, hire and retain additional qualified sales personnel in a timely manner and develop, train and manage an increasing number of management level sales associates and other employees. Additionally, if we are unable to attract and retain qualified credit granting and collection personnel, our ability to perform quality underwriting of new credit transactions and maintain workloads for our collections personnel at a manageable level, our operation could be adversely impacted and result in higher delinquency and net charge-offs on our credit portfolio. Competition for qualified employees could require us to pay higher wages to attract a sufficient number of employees, and increases in the federal minimum wage or other employee benefits costs could increase our operating expenses. If we are unable to attract and retain personnel as needed in the future, our net sales and operating results could suffer.

**Our costs of doing business could increase as a result of changes in federal, state or local regulations.**

Changes in the federal, state or local minimum wage requirements or changes in other wage or workplace regulations could increase our cost of doing business. In addition, changes in federal, state or local regulations governing the sale of some of our products or tax regulations could increase our cost of doing business. Also, passage of the Employer Free Choice Act or similar laws in Congress could lead to higher labor costs by encouraging unionization efforts among our associates and disruption of store operations.

**Because our stores are located in Texas, Louisiana and Oklahoma, we are subject to regional risks.**

Our 76 stores are located exclusively in Texas, Louisiana and Oklahoma. This subjects us to regional risks, such as the economy, weather conditions, hurricanes and other natural or man-made disasters. If the region suffers a continued or another economic downturn or any other adverse regional event, there could be an adverse impact on our net sales and results of operations and our ability to implement our planned expansion program once we have adequate capital availability. Several of our competitors operate stores across the United States and thus are not as vulnerable to the risks of operating in one region. Additionally, these states in general, and the local economies where many of our stores are located in particular, are dependent, to a degree, on the oil and gas industries, which can be very volatile. Additionally, because of fears of climate change and adverse effects of drilling explosions and oil spills in the Gulf of Mexico, legislation has been introduced or is being considered, and governmental emergency pronouncements, regulations and orders have been issued and are under consideration, including moratoriums on offshore drilling, which, combined with the local economic and employment conditions caused by both, could materially and adversely impact the oil and gas industries and the areas in which a majority of our stores are located in Texas and Louisiana. To the extent the oil and gas industries are negatively impacted by declining commodity prices, climate change or other legislation and other factors, we could be negatively impacted by reduced employment, or other negative economic factors that impact the local economies where we have our stores.

In addition, recent turmoil in the national economy, including instability in the financial markets, has impacted our local markets. In February 2010, the average unemployment rate in Texas, Louisiana and Oklahoma was 8.2%, 7.3% and 6.8%, respectively compared to 6.8%, 5.9% and 5.5% in 2009, respectively and 4.4%, 3.8% and 3.2% in 2008, respectively. The current recession or a further downturn in the general economy, or in the region where we have our stores, could have a negative impact on our net sales and results of operations.

**Our information technology infrastructure is vulnerable to damage that could harm our business.**

Our ability to operate our business from day to day, in particular our ability to manage our credit operations and inventory levels, largely depends on the efficient operation of our computer hardware and software systems. We use management information systems to track inventory information at the store level, communicate customer information, aggregate daily sales information and manage our credit portfolio, including processing of credit applications and management of collections. These systems and our operations are subject to damage or interruption from:

- power loss, computer systems failures and Internet, telecommunications or data network failures;
- operator negligence or improper operation by, or supervision of, employees;
- physical and electronic loss of data or security breaches, misappropriation and similar events;
- computer viruses;
- intentional acts of vandalism and similar events; and
- hurricanes, fires, floods and other natural disasters.

In addition, the software that we have developed to use in our daily operations may contain undetected errors that could cause our network to fail or our expenses to increase. Any failure of our systems due to any of these causes, if it is not supported by our disaster recovery plan, could cause an interruption in our operations and result in reduced net sales and results of operations. Though we have implemented

## [Table of Contents](#)

contingency and disaster recovery processes in the event of one or several technology failures, any unforeseen failure, interruption or compromise of our systems or our security measures could affect our flow of business and, if prolonged, could harm our reputation. The risk of possible failures or interruptions may not be adequately addressed by us or the third parties on which we rely, and such failures or interruptions could occur. The occurrence of any failures or interruptions could have a material adverse effect on our business, financial condition, liquidity and results of operations.

### **If we are unable to maintain our insurance licenses in the states we operate, our results of operations would suffer.**

We derive a significant portion of our revenues and operating income from the commissions we earn from the sale of various insurance products of third-party insurers to our customers. These products include credit insurance, repair service agreements and product replacement policies. We also are the direct obligor on certain extended repair service agreements we offer to our customers. If for any reason we were unable to maintain our insurance licenses in the states we operate or if there are material claims or future material litigation involving our repair service agreements or product replacement policies, our results of operations would suffer.

### **If we are unable to continue to offer third-party repair service agreements to our customers who purchase, or have purchased our products, we could incur additional costs or repair expenses, which would adversely affect our financial condition and results of operations.**

There are a limited number of insurance carriers that provide repair service agreement programs. If insurance becomes unavailable from our current providers for any reason, we may be unable to provide repair service agreements to our customers on the same terms, if at all. Even if we are able to obtain a substitute provider, higher premiums may be required, which could have an adverse impact on our profitability if we are unable to pass along the increased cost of such coverage to our customers. Inability to maintain the repair service agreement program could cause fluctuations in our repair expenses and greater volatility of earnings and could require us to become the obligor under new contracts sold.

### **If we are unable to maintain group credit insurance policies from insurance carriers, which allow us to offer their credit insurance products to our customers purchasing our merchandise on credit, our revenues would be reduced and the provision for bad debts might increase.**

There are a limited number of insurance carriers that provide credit insurance coverage for sale to our customers. If credit insurance becomes unavailable for any reason we may be unable to offer substitute coverage on the same terms, if at all. Even if we are able to obtain substitute coverage, it may be at higher rates or reduced coverage, which could affect the customer acceptance of these products, reduce our revenues or increase our credit losses.

### **Changes in premium and commission rates allowed by regulators on the credit insurance, repair service agreements or product replacement agreements we sell as allowed by the laws and regulations in the states in which we operate could affect our revenues.**

We derive a significant portion of our revenues and operating income from the sale of various third-party insurance products to our customers. These products include credit insurance, repair service agreements and product replacement agreements. If the commission we retain from sales of those products declines, our operating results would suffer.

### **Changes in trade regulations, currency fluctuations and other factors beyond our control could affect our business.**

A significant portion of our inventory is manufactured and/or assembled overseas and in Mexico. Changes in trade regulations, currency fluctuations or other factors beyond our control may increase the cost of items we purchase or create shortages of these items, which in turn could have a material adverse effect on our results of operations and financial condition. Conversely, significant reductions in the cost of these items in U.S. dollars may cause a significant reduction in the retail prices of those products, resulting in a material adverse effect on our sales, margins or competitive position. In addition, commissions earned on our credit

## [Table of Contents](#)

insurance, repair service agreement or product replacement agreement products could be adversely affected by changes in statutory premium rates, commission rates, adverse claims experience and other factors.

### **We may be unable to protect our intellectual property rights, which could impair our name and reputation.**

We believe that our success and ability to compete depends in part on consumer identification of the name "Conn's." We have registered the trademarks "Conn's" and our logo. We intend to protect vigorously our trademark against infringement or misappropriation by others. A third party, however, could attempt to misappropriate our intellectual property in the future. The enforcement of our proprietary rights through litigation could result in substantial costs to us that could have a material adverse effect on our financial condition or results of operations.

### **Failure to protect the security of our customer's information could expose us to litigation, judgments for damages and undermine the trust placed with us by our customers.**

We capture, transmit, handle and store sensitive information, which involves certain inherent security risks. Such risks include, among other things, the interception of customer data and information by persons outside us or by our own employees. While we believe we have taken appropriate steps to protect confidential information, there can be no assurance that we can prevent the compromise of our customers' data or other confidential information. If such a breach should occur it could have a severe negative impact on our business and results of operations.

### **Any changes in the tax laws of the states in which we operate could affect our state tax liabilities. Additionally, beginning operations in new states could also affect our state tax liabilities.**

As we experienced in fiscal year 2008 with the change in the Texas tax law, legislation could be introduced at any time that changes our state tax liabilities in a way that has an adverse impact on our results of operations. The Texas margin tax increased our effective rate from approximately 35.1%, before its introduction, to 37.1% in fiscal year 2009 and to 51.2% in fiscal year 2010. Our recent commencement of operations in Oklahoma and the potential to enter new states in the future could adversely affect our results of operations, dependent upon the tax laws in place in those states.

### **Significant volatility in oil and gasoline prices could affect our customers' determination to drive to our stores, and cause us to raise our delivery charges.**

Significant volatility in oil and gasoline prices could adversely affect our customers' shopping decisions and patterns. We rely heavily on our internal distribution system and our next day delivery policy to satisfy our customers' needs and desires, and increases in oil and gasoline prices could result in increased distribution charges. Such increases may not significantly affect our competitors.

## **Item 2. Unregistered Sales of Equity Securities and Use of Proceeds**

None.

## **Item 4. Submission of Matters to a Vote of Security Holders**

At the Annual Meeting of Stockholders held on May 25, 2010, the following proposals were submitted to stockholders with the following results:

1. Election of ten directors

	Number of Shares	
	For	Withheld
Marvin D. Brailsford	17,397,184	125,813
Timothy L. Frank	17,398,562	124,435
Jon E. M. Jacoby	15,447,102	2,075,895
Bob L. Martin	17,398,470	124,527
Douglas H. Martin	17,397,107	125,890

## Table of Contents

	Number of Shares	
	For	Withheld
Dr. William C. Nylin, Jr.	17,399,833	123,164
Scott L. Thompson	17,345,804	177,193
William T. Trawick	15,716,226	1,806,771
Theodore M. Wright	17,399,733	123,264

2. Approval of the Audit Committee's appointment of Ernst & Young, LLP as our independent public accountants for the fiscal year ending January 31, 2011.

	Number of Shares
For	19,886,964
Against	7,420
Abstain	—

### **Item 5. Other Information**

There have been no material changes to the procedures by which security holders may recommend nominees to our board of directors since we last provided disclosure in response to the requirements of Item 7(d)(2)(ii)(G) of Schedule 14A.

On May 25, 2010, the base salaries of four of our named executive officers were restored to their level prior to the temporary ten percent reduction that took place on November 24, 2009. These officers are Timothy L. Frank, Chief Executive Officer and President, Michael J. Poppe, Executive Vice-President and Chief Financial Officer, David W. Trahan, President — Retail Division and Reymundo de la Fuente, President — Credit Division. The salary of Mr. Frank was restored to \$360,000 and the salaries of Messrs. Poppe, Trahan, and de la Fuente were restored to \$265,000.

Mr. Poppe, currently our Chief Financial Officer, was appointed to be our Executive Vice President and Chief Financial Officer, effective June 1, 2010.

On May 25, 2010, a new schedule of fees paid to the non-employee directors on our board was adopted.

Each non-employee director of the board in respect of his or her service on the board receives or will receive:

- an annual retainer of \$50,000 for the 2010 annual meeting through the 2012 annual meeting;
- an additional annual retainer of \$10,000 for the chairs of the Audit Committee and the Compensation Committee.

### **Item 6. Exhibits**

The exhibits required to be furnished pursuant to Item 6 of Form 10-Q are listed in the Exhibit Index filed herewith, which Exhibit Index is incorporated herein by reference.

**SIGNATURE**

Pursuant to the requirements of the Securities Exchange Act of 1934, the registrant has duly caused this Report to be signed on its behalf by the undersigned thereunto duly authorized.

CONN'S, INC.

By: /s/ Michael J. Poppe  
Michael J. Poppe  
Executive Vice President and Chief Financial  
Officer  
*(Principal Financial Officer and duly authorized to  
sign this report on behalf of the registrant)*

Date: July 7, 2010



## INDEX TO EXHIBITS

Exhibit Number	Description
2	Agreement and Plan of Merger dated January 15, 2003, by and among Conn's, Inc., Conn Appliances, Inc. and Conn's Merger Sub, Inc. (incorporated herein by reference to Exhibit 2 to Conn's, Inc. registration statement on Form S-1 (file no. 333-109046) as filed with the Securities and Exchange Commission on September 23, 2003).
3.1	Certificate of Incorporation of Conn's, Inc. (incorporated herein by reference to Exhibit 3.1 to Conn's, Inc. registration statement on Form S-1 (file no. 333-109046) as filed with the Securities and Exchange Commission on September 23, 2003).
3.1.1	Certificate of Amendment to the Certificate of Incorporation of Conn's, Inc. dated June 3, 2004 (incorporated herein by reference to Exhibit 3.1.1 to Conn's, Inc. Form 10-Q for the quarterly period ended April 30, 2004 (File No. 000-50421) as filed with the Securities and Exchange Commission on June 7, 2004).
3.2	Amended and Restated Bylaws of Conn's, Inc. effective as of June 3, 2008 (incorporated herein by reference to Exhibit 3.2.3 to Conn's, Inc. Form 10-Q for the quarterly period ended April 30, 2008 (File No. 000-50421) as filed with the Securities and Exchange Commission on June 4, 2008).
4.1	Specimen of certificate for shares of Conn's, Inc.'s common stock (incorporated herein by reference to Exhibit 4.1 to Conn's, Inc. registration statement on Form S-1 (file no. 333-109046) as filed with the Securities and Exchange Commission on October 29, 2003).
10.1	Amended and Restated 2003 Incentive Stock Option Plan (incorporated herein by reference to Exhibit 10.1 to Conn's, Inc. registration statement on Form S-1 (file no. 333-109046) as filed with the Securities and Exchange Commission on September 23, 2003). <sup>t</sup>
10.1.1	Amendment to the Conn's, Inc. Amended and Restated 2003 Incentive Stock Option Plan (incorporated herein by reference to Exhibit 10.1.1 to Conn's Form 10-Q for the quarterly period ended April 30, 2004 (File No. 000-50421) as filed with the Securities and Exchange Commission on June 7, 2004). <sup>t</sup>
10.1.2	Form of Stock Option Agreement (incorporated herein by reference to Exhibit 10.1.2 to Conn's, Inc. Form 10-K for the annual period ended January 31, 2005 (File No. 000-50421) as filed with the Securities and Exchange Commission on April 5, 2005). <sup>t</sup>
10.2	2003 Non-Employee Director Stock Option Plan (incorporated herein by reference to Exhibit 10.2 to Conn's, Inc. registration statement on Form S-1 (file no. 333-109046) as filed with the Securities and Exchange Commission on September 23, 2003). <sup>t</sup>
10.2.1	Form of Stock Option Agreement (incorporated herein by reference to Exhibit 10.2.1 to Conn's, Inc. Form 10-K for the annual period ended January 31, 2005 (File No. 000-50421) as filed with the Securities and Exchange Commission on April 5, 2005). <sup>t</sup>
10.3	Employee Stock Purchase Plan (incorporated herein by reference to Exhibit 10.3 to Conn's, Inc. registration statement on Form S-1 (file no. 333-109046) as filed with the Securities and Exchange Commission on September 23, 2003). <sup>t</sup>
10.4	Conn's 401(k) Retirement Savings Plan (incorporated herein by reference to Exhibit 10.4 to Conn's, Inc. registration statement on Form S-1 (file no. 333-109046) as filed with the Securities and Exchange Commission on September 23, 2003). <sup>t</sup>

## Table of Contents

<u>Exhibit Number</u>	<u>Description</u>
10.5	Shopping Center Lease Agreement dated May 3, 2000, by and between Beaumont Development Group, L.P., f/k/a Fiesta Mart, Inc., as Lessor, and CAI, L.P., as Lessee, for the property located at 3295 College Street, Suite A, Beaumont, Texas (incorporated herein by reference to Exhibit 10.5 to Conn's, Inc. registration statement on Form S-1 (file no. 333-109046) as filed with the Securities and Exchange Commission on September 23, 2003).
10.5.1	First Amendment to Shopping Center Lease Agreement dated September 11, 2001, by and among Beaumont Development Group, L.P., f/k/a Fiesta Mart, Inc., as Lessor, and CAI, L.P., as Lessee, for the property located at 3295 College Street, Suite A, Beaumont, Texas (incorporated herein by reference to Exhibit 10.5.1 to Conn's, Inc. registration statement on Form S-1 (file no. 333-109046) as filed with the Securities and Exchange Commission on September 23, 2003).
10.6	Industrial Real Estate Lease dated June 16, 2000, by and between American National Insurance Company, as Lessor, and CAI, L.P., as Lessee, for the property located at 8550-A Market Street, Houston, Texas (incorporated herein by reference to Exhibit 10.6 to Conn's, Inc. registration statement on Form S-1 (file no. 333-109046) as filed with the Securities and Exchange Commission on September 23, 2003).
10.6.1	First Renewal of Lease dated November 24, 2004, by and between American National Insurance Company, as Lessor, and CAI, L.P., as Lessee, for the property located at 8550-A Market Street, Houston, Texas (incorporated herein by reference to Exhibit 10.6.1 to Conn's, Inc. Form 10-K for the annual period ended January 31, 2005 (File No. 000-50421) as filed with the Securities and Exchange Commission on April 5, 2005).
10.7	Lease Agreement dated December 5, 2000, by and between Prologis Development Services, Inc., f/k/a The Northwestern Mutual Life Insurance Company, as Lessor, and CAI, L.P., as Lessee, for the property located at 4810 Eisenhower Road, Suite 240, San Antonio, Texas (incorporated herein by reference to Exhibit 10.7 to Conn's, Inc. registration statement on Form S-1 (file no. 333-109046) as filed with the Securities and Exchange Commission on September 23, 2003).
10.7.1	Lease Amendment No. 1 dated November 2, 2001, by and between Prologis Development Services, Inc., f/k/a The Northwestern Mutual Life Insurance Company, as Lessor, and CAI, L.P., as Lessee, for the property located at 4810 Eisenhower Road, Suite 240, San Antonio, Texas (incorporated herein by reference to Exhibit 10.7.1 to Conn's, Inc. registration statement on Form S-1 (file no. 333-109046) as filed with the Securities and Exchange Commission on September 23, 2003).
10.8	Lease Agreement dated June 24, 2005, by and between Cabot Properties, Inc. as Lessor, and CAI, L.P., as Lessee, for the property located at 1132 Valwood Parkway, Carrollton, Texas (incorporated herein by reference to Exhibit 99.1 to Conn's, Inc. Current Report on Form 8-K (file no. 000-50421) as filed with the Securities and Exchange Commission on June 29, 2005).
10.9	Loan and Security Agreement dated August 14, 2008, by and among Conn's, Inc. and the Borrowers thereunder, the Lenders party thereto, Bank of America, N.A, a national banking association, as Administrative Agent and Joint Book Runner for the Lenders, referred to as Agent, JPMorgan Chase Bank, National Association, as Syndication Agent and Joint Book Runner for the Lenders, and Capital One, N.A., as Co-Documentation Agent (incorporated herein by reference to Exhibit 99.1 to Conn's Inc. Current Report on Form 8-K (File No. 000-50421) as filed with the Securities and Exchange Commission on August 20,2008).
10.9.1	Intercreditor Agreement dated August 14, 2008, by and among Bank of America, N.A., as the ABL Agent, Wells Fargo Bank, National Association, as Securitization Trustee, Conn Appliances, Inc. as the Initial Servicer, Conn Credit Corporation, Inc., as a borrower, Conn Credit I, L.P., as a borrower and Bank of America, N.A., as Collateral Agent (incorporated herein by reference to Exhibit 99.5 to Conn's Inc. Current Report on Form 8-K (File No. 000-50421) as filed with the Securities and Exchange Commission on August 20,2008).

## Table of Contents

<u>Exhibit Number</u>	<u>Description</u>
10.9.2	First Amendment to Loan and Security Agreement dated August 14, 2008, by and among Conn's, Inc. and the Borrowers thereunder, the Lenders party thereto, Bank of America, N.A, a national banking association, as Administrative Agent and Joint Book Runner for the Lenders, referred to as Agent, JPMorgan Chase Bank, National Association, as Syndication Agent and Joint Book Runner for the Lenders, and Capital One, N.A., as Co-Documentation Agent (incorporated herein by reference to Exhibit 10.1 to Conn's Inc. Current Report on Form 8-K (File No. 000-50421) as filed with the Securities and Exchange Commission on February 12, 2010).
10.9.3	Second Amendment to Loan and Security Agreement dated August 14, 2008, by and among Conn's, Inc. and the Borrowers thereunder, the Lenders party thereto, Bank of America, N.A, a national banking association, as Administrative Agent and Joint Book Runner for the Lenders, referred to as Agent, JPMorgan Chase Bank, National Association, as Syndication Agent and Joint Book Runner for the Lenders, and Capital One, N.A., as Co-Documentation Agent (incorporated herein by reference to Exhibit 10.1 to Conn's Inc. Current Report on Form 8-K (File No. 000-50421) as filed with the Securities and Exchange Commission on March 4, 2010).
10.10	Receivables Purchase Agreement dated September 1, 2002, by and among Conn Funding II, L.P., as Purchaser, Conn Appliances, Inc. and CAI, L.P., collectively as Originator and Seller, and Conn Funding I, L.P., as Initial Seller (incorporated herein by reference to Exhibit 10.10 to Conn's, Inc. registration statement on Form S-1 (file no. 333-109046) as filed with the Securities and Exchange Commission on September 23, 2003).
10.10.1	First Amendment to Receivables Purchase Agreement dated August 1, 2006, by and among Conn Funding II, L.P., as Purchaser, Conn Appliances, Inc. and CAI, L.P., collectively as Originator and Seller (incorporated herein by reference to Exhibit 10.10.1 to Conn's, Inc. Form 10-Q for the quarterly period ended October 31, 2006 (File No. 000-50421) as filed with the Securities and Exchange Commission on September 15, 2006).
10.11	Base Indenture dated September 1, 2002, by and between Conn Funding II, L.P., as Issuer, and Wells Fargo Bank Minnesota, National Association, as Trustee (incorporated herein by reference to Exhibit 10.11 to Conn's, Inc. registration statement on Form S-1 (file no. 333-109046) as filed with the Securities and Exchange Commission on September 23, 2003).
10.11.1	First Supplemental Indenture dated October 29, 2004 by and between Conn Funding II, L.P., as Issuer, and Wells Fargo Bank, National Association, as Trustee (incorporated herein by reference to Exhibit 99.1 to Conn's, Inc. Current Report on Form 8-K (File No. 000-50421) as filed with the Securities and Exchange Commission on November 4, 2004).
10.11.2	Second Supplemental Indenture dated August 1, 2006 by and between Conn Funding II, L.P., as Issuer, and Wells Fargo Bank, National Association, as Trustee (incorporated herein by reference to Exhibit 99.1 to Conn's, Inc. Current Report on Form 8-K (File No. 000-50421) as filed with the Securities and Exchange Commission on August 23, 2006).
10.11.3	Fourth Supplemental Indenture dated August 14, 2008 by and between Conn Funding II, L.P., as Issuer, and Wells Fargo Bank, National Association, as Trustee (incorporated herein by reference to Exhibit 99.4 to Conn's, Inc. Current Report on Form 8-K (File No. 000-50421) as filed with the Securities and Exchange Commission on August 20, 2008).
10.12	Amended and Restated Series 2002-A Supplement dated September 10, 2007, by and between Conn Funding II, L.P., as Issuer, and Wells Fargo Bank, National Association, as Trustee (incorporated herein by reference to Exhibit 99.2 to Conn's, Inc. Current Report on Form 8-K (File No. 000-50421) as filed with the Securities and Exchange Commission on September 11, 2007).
10.12.1	Supplement No. 1 to Amended and Restated Series 2002-A Supplement dated August 14, 2008, by and between Conn Funding II, L.P., as Issuer, and Wells Fargo Bank, National Association, as Trustee (incorporated herein by reference to Exhibit 99.2 to Conn's, Inc. Current Report on Form 8-K (File No. 000-50421) as filed with the Securities and Exchange Commission on August 20, 2008).
10.12.1.1	Supplement No. 2 to Amended and Restated Series 2002-A Supplement dated August 14, 2008, by and between Conn Funding II, L.P., as Issuer, and Wells Fargo Bank, National Association, as

## Table of Contents

<u>Exhibit Number</u>	<u>Description</u>
	Trustee (incorporated herein by reference to Exhibit 10.2 to Conn's, Inc. Current Report on Form 8-K (File No. 000-50421) as filed with the Securities and Exchange Commission on March 16, 2010).
10.12.2	Amended and Restated Note Purchase Agreement dated September 10, 2007 by and between Conn Funding II, L.P., as Issuer, and Wells Fargo Bank, National Association, as Trustee (incorporated herein by reference to Exhibit 99.3 to Conn's, Inc. Current Report on Form 8-K (File No. 000-50421) as filed with the Securities and Exchange Commission on September 11, 2007).
10.12.3	Second Amended and Restated Note Purchase Agreement dated August 14, 2008 by and between Conn Funding II, L.P., as Issuer, and Wells Fargo Bank, National Association, as Trustee (incorporated herein by reference to Exhibit 99.3 to Conn's, Inc. Current Report on Form 8-K (File No. 000-50421) as filed with the Securities and Exchange Commission on August 20, 2008).
10.12.4	Amendment No. 1 to Second Amended and Restated Note Purchase Agreement dated August 28, 2008 by and between Conn Funding II, L.P., as Issuer, and Wells Fargo Bank, National Association, as Trustee (incorporated herein by reference to Exhibit 10.12.4 to Conn's, Inc. Form 10-Q for the quarterly period ended October 31, 2008 (File No. 000-50421) as filed with the Securities and Exchange Commission on August 28, 2008).
10.12.5	Amendment No. 2 to Second Amended and Restated Note Purchase Agreement dated August 10, 2009 by and between Conn Funding II, L.P., as Issuer, and Wells Fargo Bank, National Association, as Trustee (incorporated herein by reference to Exhibit 10.14.1 to Conn's, Inc. Form 10-Q for the quarterly period ended July 31, 2009 (File No. 000-50421) as filed with the Securities and Exchange Commission on August 27, 2009).
10.12.6	Amendment No. 3 to Second Amended and Restated Note Purchase Agreement dated August 10, 2009 by and between Conn Funding II, L.P., as Issuer, and Wells Fargo Bank, National Association, as Trustee (incorporated herein by reference to Exhibit 10.2 to Conn's, Inc. Current Report on Form 8-K (File No. 000-50421) as filed with the Securities and Exchange Commission on February 12, 2010).
10.12.7	Amendment No. 4 to Second Amended and Restated Note Purchase Agreement dated August 10, 2009 by and between Conn Funding II, L.P., as Issuer, and Wells Fargo Bank, National Association, as Trustee (incorporated herein by reference to Exhibit 10.2 to Conn's, Inc. Current Report on Form 8-K (File No. 000-50421) as filed with the Securities and Exchange Commission on March 4, 2010).
10.12.8	Amendment No. 5 to Second Amended and Restated Note Purchase Agreement dated August 10, 2009 by and between Conn Funding II, L.P., as Issuer, and Wells Fargo Bank, National Association, as Trustee (incorporated herein by reference to Exhibit 10.1 to Conn's, Inc. Current Report on Form 8-K (File No. 000-50421) as filed with the Securities and Exchange Commission on March 12, 2010).
10.12.9	Amendment No. 6 to Second Amended and Restated Note Purchase Agreement dated August 10, 2009 by and between Conn Funding II, L.P., as Issuer, and Wells Fargo Bank, National Association, as Trustee (incorporated herein by reference to Exhibit 10.1 to Conn's, Inc. Current Report on Form 8-K (File No. 000-50421) as filed with the Securities and Exchange Commission on March 16, 2010).
10.13	Servicing Agreement dated September 1, 2002, by and among Conn Funding II, L.P., as Issuer, CAI, L.P., as Servicer, and Wells Fargo Bank Minnesota, National Association, as Trustee (incorporated herein by reference to Exhibit 10.14 to Conn's, Inc. registration statement on Form S-1 (file no. 333-109046) as filed with the Securities and Exchange Commission on September 23, 2003).
10.13.1	First Amendment to Servicing Agreement dated June 24, 2005, by and among Conn Funding II, L.P., as Issuer, CAI, L.P., as Servicer, and Wells Fargo Bank, National Association, as Trustee (incorporated herein by reference to Exhibit 10.14.1 to Conn's, Inc. Form 10-Q for the quarterly period ended October 31, 2005 (File No. 000-50421) as filed with the Securities and Exchange Commission on August 30, 2005).

## Table of Contents

<u>Exhibit Number</u>	<u>Description</u>
10.13.2	Second Amendment to Servicing Agreement dated November 28, 2005, by and among Conn Funding II, L.P., as Issuer, CAI, L.P., as Servicer, and Wells Fargo Bank, National Association, as Trustee (incorporated herein by reference to Exhibit 10.14.2 to Conn's, Inc. Form 10-Q for the quarterly period ended October 31, 2005 (File No. 000-50421) as filed with the Securities and Exchange Commission on December 1, 2005).
10.13.3	Third Amendment to Servicing Agreement dated May 16, 2006, by and among Conn Funding II, L.P., as Issuer, CAI, L.P., as Servicer, and Wells Fargo Bank, National Association, as Trustee (incorporated herein by reference to Exhibit 10.14.3 to Conn's, Inc. Form 10-Q for the quarterly period ended October 31, 2006 (File No. 000-50421) as filed with the Securities and Exchange Commission on September 15, 2006).
10.13.4	Fourth Amendment to Servicing Agreement dated August 1, 2006, by and among Conn Funding II, L.P., as Issuer, CAI, L.P., as Servicer, and Wells Fargo Bank, National Association, as Trustee (incorporated herein by reference to Exhibit 10.14.4 to Conn's, Inc. Form 10-Q for the quarterly period ended October 31, 2006 (File No. 000-50421) as filed with the Securities and Exchange Commission on September 15, 2006).
10.14	Form of Executive Employment Agreement (incorporated herein by reference to Exhibit 10.15 to Conn's, Inc. registration statement on Form S-1 (file no. 333-109046) as filed with the Securities and Exchange Commission on October 29, 2003). <sup>t</sup>
10.14.1	First Amendment to Executive Employment Agreement between Conn's, Inc. and Thomas J. Frank, Sr., Approved by the stockholders May 26, 2005 (incorporated herein by reference to Exhibit 10.15.1 to Conn's, Inc. Form 10-Q for the quarterly period ended October 31, 2005 (file No. 000-50421) as filed with the Securities and Exchange Commission on August 30, 2005). <sup>t</sup>
10.14.2	Executive Retirement Agreement between Conn's, Inc. and Thomas J. Frank, Sr., approved by the Board of Directors June 2, 2009 (incorporated herein by reference to Exhibit 10.14.2 to Conn's, Inc. Form 10-Q for the quarterly period ended April 30, 2009 (file No. 000-50421) as filed with the Securities and Exchange Commission on June 4, 2009). <sup>t</sup>
10.14.3	Non-Executive Employment Agreement between Conn's, Inc. and Thomas J. Frank, Sr., approved by the Board of Directors June 19, 2009 (incorporated herein by reference to Exhibit 10.14.1 to Conn's, Inc. Form 10-Q for the quarterly period ended July 31, 2009 (File No. 000-50421) as filed with the Securities and Exchange Commission on August 27, 2009). <sup>t</sup>
10.15	Form of Indemnification Agreement (incorporated herein by reference to Exhibit 10.16 to Conn's, Inc. registration statement on Form S-1 (file no. 333-109046) as filed with the Securities and Exchange Commission on September 23, 2003). <sup>t</sup>
10.16	Description of Compensation Payable to Non-Employee Directors (incorporated herein by reference to Form 8-K (file no. 000-50421) filed with the Securities and Exchange Commission on June 2, 2005). <sup>t</sup>
10.17	Dealer Agreement between Conn Appliances, Inc. and Voyager Service Programs, Inc. effective as of January 1, 1998 (incorporated herein by reference to Exhibit 10.19 to Conn's, Inc. Form 10-K for the annual period ended January 31, 2006 (File No. 000-50421) as filed with the Securities and Exchange Commission on March 30, 2006).
10.17.1	Amendment #1 to Dealer Agreement by and among Conn Appliances, Inc., CAI, L.P., Federal Warranty Service Corporation and Voyager Service Programs, Inc. effective as of July 1, 2005 (incorporated herein by reference to Exhibit 10.19.1 to Conn's, Inc. Form 10-K for the annual period ended January 31, 2006 (File No. 000-50421) as filed with the Securities and Exchange Commission on March 30, 2006).

## Table of Contents

<u>Exhibit Number</u>	<u>Description</u>
10.17.2	Amendment #2 to Dealer Agreement by and among Conn Appliances, Inc., CAI, L.P., Federal Warranty Service Corporation and Voyager Service Programs, Inc. effective as of July 1, 2005 (incorporated herein by reference to Exhibit 10.19.2 to Conn's, Inc. Form 10-K for the annual period ended January 31, 2006 (File No. 000-50421) as filed with the Securities and Exchange Commission on March 30, 2006).
10.17.3	Amendment #3 to Dealer Agreement by and among Conn Appliances, Inc., CAI, L.P., Federal Warranty Service Corporation and Voyager Service Programs, Inc. effective as of July 1, 2005 (incorporated herein by reference to Exhibit 10.19.3 to Conn's, Inc. Form 10-K for the annual period ended January 31, 2006 (File No. 000-50421) as filed with the Securities and Exchange Commission on March 30, 2006).
10.17.4	Amendment #4 to Dealer Agreement by and among Conn Appliances, Inc., CAI, L.P., Federal Warranty Service Corporation and Voyager Service Programs, Inc. effective as of July 1, 2005 (incorporated herein by reference to Exhibit 10.19.4 to Conn's, Inc. Form 10-K for the annual period ended January 31, 2006 (File No. 000-50421) as filed with the Securities and Exchange Commission on March 30, 2006).
10.17.5	Amendment #5 to Dealer Agreement by and among Conn Appliances, Inc., CAI, L.P., Federal Warranty Service Corporation and Voyager Service Programs, Inc. effective as of April 7, 2007 (incorporated herein by reference to Exhibit 10.18.5 to Conn's, Inc. Form 10-Q for the quarterly period ended October 31, 2007 (File No. 000-50421) as filed with the Securities and Exchange Commission on August 30, 2007).
10.18	Service Expense Reimbursement Agreement between Affiliates Insurance Agency, Inc. and American Bankers Life Assurance Company of Florida, American Bankers Insurance Company Ranchers & Farmers County Mutual Insurance Company, Voyager Life Insurance Company and Voyager Property and Casualty Insurance Company effective July 1, 1998 (incorporated herein by reference to Exhibit 10.20 to Conn's, Inc. Form 10-K for the annual period ended January 31, 2006 (File No. 000-50421) as filed with the Securities and Exchange Commission on March 30, 2006).
10.18.1	First Amendment to Service Expense Reimbursement Agreement by and among CAI, L.P., Affiliates Insurance Agency, Inc., American Bankers Life Assurance Company of Florida, Voyager Property & Casualty Insurance Company, American Bankers Life Assurance Company of Florida, American Bankers Insurance Company of Florida and American Bankers General Agency, Inc. effective July 1, 2005 (incorporated herein by reference to Exhibit 10.20.1 to Conn's, Inc. Form 10-K for the annual period ended January 31, 2006 (File No. 000-50421) as filed with the Securities and Exchange Commission on March 30, 2006).
10.18.2	Seventh Amendment to Service Expense Reimbursement Agreement by and among Conn Appliances, Inc., American Bankers Life Assurance Company of Florida, American Bankers Insurance Company of Florida, American Reliable Insurance Company and Reliable Lloyds Insurance Company effective May 1, 2009 (incorporated herein by reference to Exhibit 10.14.1 to Conn's, Inc. Form 10-Q for the quarterly period ended July 31, 2009 (File No. 000-50421) as filed with the Securities and Exchange Commission on August 27, 2009).
10.19	Service Expense Reimbursement Agreement between CAI Credit Insurance Agency, Inc. and American Bankers Life Assurance Company of Florida, American Bankers Insurance Company Ranchers & Farmers County Mutual Insurance Company, Voyager Life Insurance Company and Voyager Property and Casualty Insurance Company effective July 1, 1998 (incorporated herein by reference to Exhibit 10.21 to Conn's, Inc. Form 10-K for the annual period ended January 31, 2006 (File No. 000-50421) as filed with the Securities and Exchange Commission on March 30, 2006).
10.19.1	First Amendment to Service Expense Reimbursement Agreement by and among CAI Credit Insurance Agency, Inc., American Bankers Life Assurance Company of Florida, Voyager Property & Casualty Insurance Company, American Bankers Life Assurance Company of Florida, American Bankers Insurance Company of Florida, American Reliable Insurance Company, and American Bankers General Agency, Inc. effective July 1, 2005 (incorporated herein by reference to Exhibit 10.21.1 to Conn's, Inc. Form 10-K for the annual period ended January 31, 2006 (File No. 000-50421) as filed with the Securities and Exchange Commission on March 30, 2006).



## Table of Contents

<u>Exhibit Number</u>	<u>Description</u>
10.19.2	Fourth Amendment to Service Expense Reimbursement Agreement by and among CAI Credit Insurance Agency, Inc., American Bankers Life Assurance Company of Florida, American Bankers Insurance Company of Florida and American Reliable Insurance Company effective May 1, 2009 (incorporated herein by reference to Exhibit 10.14.1 to Conn's, Inc. Form 10-Q for the quarterly period ended July 31, 2009 (File No. 000-50421) as filed with the Securities and Exchange Commission on August 27, 2009).
10.20	Consolidated Addendum and Amendment to Service Expense Reimbursement Agreements by and among Certain Member Companies of Assurant Solutions, CAI Credit Insurance Agency, Inc. and Affiliates Insurance Agency, Inc. effective April 1, 2004 (incorporated herein by reference to Exhibit 10.22 to Conn's, Inc. Form 10-K for the annual period ended January 31, 2006 (File No. 000-50421) as filed with the Securities and Exchange Commission on March 30, 2006).
10.21	Series 2006-A Supplement to Base Indenture, dated August 1, 2006, by and between Conn Funding II, L.P., as Issuer, and Wells Fargo Bank, National Association, as Trustee (incorporated herein by reference to Exhibit 10.23 to Conn's, Inc. Form 10-Q for the quarterly period ended October 31, 2006 (File No. 000-50421) as filed with the Securities and Exchange Commission on September 15, 2006).
11.1	Statement re: computation of earnings per share is included under Note 1 to the financial statements.
12.1	Statement of computation of Ratio of Earnings to Fixed Charges (filed herewith).
21	Subsidiaries of Conn's, Inc. (incorporated herein by reference to Exhibit 21 to Conn's, Inc. Form 10-Q for the quarterly period ended October 31, 2007 (File No. 000-50421) as filed with the Securities and Exchange Commission on August 30, 2007).
31.1	Rule 13a-14(a)/15d-14(a) Certification (Chief Executive Officer) (filed herewith).
31.2	Rule 13a-14(a)/15d-14(a) Certification (Chief Financial Officer) (filed herewith).
32.1	Section 1350 Certification (Chief Executive Officer and Chief Financial Officer) (furnished herewith).
99.1	Subcertification by Chairman of the Board in support of Rule 13a-14(a)/15d-14(a) Certification (Chief Executive Officer) (filed herewith).
99.2	Subcertification by President — Retail Division in support of Rule 13a-14(a)/15d-14(a) Certification (Chief Executive Officer) (filed herewith).
99.3	Subcertification by President — Credit Division in support of Rule 13a-14(a)/15d-14(a) Certification (Chief Executive Officer) (filed herewith).
99.4	Subcertification by Treasurer in support of Rule 13a-14(a)/15d-14(a) Certification (Chief Financial Officer) (filed herewith).
99.5	Subcertification by Secretary in support of Rule 13a-14(a)/15d-14(a) Certification (Chief Financial Officer) (filed herewith).
99.6	Subcertification of Chairman of the Board, Chief Operating Officer, Treasurer and Secretary in support of Section 1350 Certifications (Chief Executive Officer and Chief Financial Officer) (furnished herewith).

---

<sup>t</sup> Management contract or compensatory plan or arrangement.

**Statement of Computation of Ratio of Earnings to Fixed Charges**  
**(Dollars in thousands)**

	<u>Three Months Ended April 30,</u>	
	<u>2009</u>	<u>2010</u>
Income before income taxes	\$ 18,016	\$ 9,017
Fixed charges	8,515	9,021
Capitalized interest	(18)	(12)
Total earnings	<u>\$ 26,513</u>	<u>\$ 18,026</u>
Interest expense (including capitalized interest)	\$ 5,022	\$ 4,796
Amortized premiums and expenses	350	998
Estimated interest within rent expense	3,143	3,227
Total fixed charges	<u>\$ 8,515</u>	<u>\$ 9,021</u>
Ratio of earnings to fixed charges	3.11	2.00



**RULE 13a-14(a)/15d-14(a) CERTIFICATION  
(CHIEF EXECUTIVE OFFICER)**

I, Timothy L. Frank, certify that:

1. I have reviewed this quarterly report on Form 10-Q of Conn's, Inc.;

2. Based on my knowledge, this report does not contain any untrue statement of a material fact or omit to state a material fact necessary to make the statements made, in light of the circumstances under which such statements were made, not misleading with respect to the period covered by this report;

3. Based on my knowledge, the financial statements, and other financial information included in this report, fairly present in all material respects the financial condition, results of operations and cash flows of the registrant as of, and for, the periods presented in this report;

4. The registrant's other certifying officer(s) and I are responsible for establishing and maintaining disclosure controls and procedures (as defined in Exchange Act Rules 13a-15(e) and 15d-15(e)) and internal control over financial reporting (as defined in Exchange Act Rules 13a-15(f) and 15d-15(f)) for the registrant and have:

- (a) Designed such disclosure controls and procedures, or caused such disclosure controls and procedures to be designed under our supervision, to ensure that material information relating to the registrant, including its consolidated subsidiaries, is made known to us by others within those entities, particularly during the period in which this report is being prepared;
- (b) Designed such internal control over financial reporting, or caused such internal control over financial reporting to be designed under our supervision, to provide reasonable assurance regarding the reliability of financial reporting and the preparation of financial statements for external purposes in accordance with generally accepted accounting principles;
- (c) Evaluated the effectiveness of the registrant's disclosure controls and procedures and presented in this report our conclusions about the effectiveness of the disclosure controls and procedures, as of the end of the period covered by this report based on such evaluation; and
- (d) Disclosed in this report any change in the registrant's internal control over financial reporting that occurred during the registrant's most recent fiscal quarter (the registrant's fourth fiscal quarter in the case of an annual report) that has materially affected, or is reasonably likely to materially affect, the registrant's internal control over financial reporting; and

5. The registrant's other certifying officer(s) and I have disclosed, based on our most recent evaluation of internal control over financial reporting, to the registrant's auditors and the audit committee of the registrant's board of directors (or persons performing the equivalent functions):

- (a) All significant deficiencies and material weaknesses in the design or operation of internal control over financial reporting which are reasonably likely to adversely affect the registrant's ability to record, process, summarize and report financial information; and
- (b) Any fraud, whether or not material, that involves management or other employees who have a significant role in the registrant's internal control over financial reporting.

/s/ Timothy L. Frank

Timothy L. Frank

Chief Executive Officer and President

Date: July 7, 2010

**RULE 13a-14(a)/15d-14(a) CERTIFICATION  
(CHIEF FINANCIAL OFFICER)**

I, Michael J. Poppe, certify that:

1. I have reviewed this quarterly report on Form 10-Q of Conn's, Inc.;

2. Based on my knowledge, this report does not contain any untrue statement of a material fact or omit to state a material fact necessary to make the statements made, in light of the circumstances under which such statements were made, not misleading with respect to the period covered by this report;

3. Based on my knowledge, the financial statements, and other financial information included in this report, fairly present in all material respects the financial condition, results of operations and cash flows of the registrant as of, and for, the periods presented in this report;

4. The registrant's other certifying officer(s) and I are responsible for establishing and maintaining disclosure controls and procedures (as defined in Exchange Act Rules 13a-15(e) and 15d-15(e)) and internal control over financial reporting (as defined in Exchange Act Rules 13a-15(f) and 15d-15(f)) for the registrant and have:

- (a) Designed such disclosure controls and procedures, or caused such disclosure controls and procedures to be designed under our supervision, to ensure that material information relating to the registrant, including its consolidated subsidiaries, is made known to us by others within those entities, particularly during the period in which this report is being prepared;
- (b) Designed such internal control over financial reporting, or caused such internal control over financial reporting to be designed under our supervision, to provide reasonable assurance regarding the reliability of financial reporting and the preparation of financial statements for external purposes in accordance with generally accepted accounting principles;
- (c) Evaluated the effectiveness of the registrant's disclosure controls and procedures and presented in this report our conclusions about the effectiveness of the disclosure controls and procedures, as of the end of the period covered by this report based on such evaluation; and
- (d) Disclosed in this report any change in the registrant's internal control over financial reporting that occurred during the registrant's most recent fiscal quarter (the registrant's fourth fiscal quarter in the case of an annual report) that has materially affected, or is reasonably likely to materially affect, the registrant's internal control over financial reporting; and

5. The registrant's other certifying officer(s) and I have disclosed, based on our most recent evaluation of internal control over financial reporting, to the registrant's auditors and the audit committee of the registrant's board of directors (or persons performing the equivalent functions):

- (a) All significant deficiencies and material weaknesses in the design or operation of internal control over financial reporting which are reasonably likely to adversely affect the registrant's ability to record, process, summarize and report financial information; and
- (b) Any fraud, whether or not material, that involves management or other employees who have a significant role in the registrant's internal control over financial reporting.

/s/ Michael J. Poppe

Michael J. Poppe

Executive Vice President and Chief Financial Officer

Date: July 7, 2010

**CERTIFICATION PURSUANT TO  
18 U.S.C. SECTION 1350,  
AS ADOPTED PURSUANT TO  
SECTION 906 OF THE SARBANES-OXLEY ACT OF 2002**

In connection with the Quarterly Report of Conn's, Inc. (the "**Company**") on Form 10-Q for the period ended April 30, 2010, as filed with the Securities and Exchange Commission on the date hereof (the "**Report**"), we, Timothy L. Frank, Chief Executive Officer and President of the Company and Michael J. Poppe, Chief Financial Officer of the Company, hereby certify, pursuant to 18 U.S.C. Section 1350, as adopted pursuant to Section 906 of the Sarbanes-Oxley Act of 2002, that, to the best of our knowledge:

- (1) The Report fully complies with the requirements of Section 13(a) or 15(d) of the Securities Exchange Act of 1934; and
- (2) The information contained in the Report fairly presents, in all material respects, the financial condition and results of operations of the Company.

/s/ Timothy L. Frank

Timothy L. Frank  
Chief Executive Officer and President

/s/ Michael J. Poppe

Michael J. Poppe  
Executive Vice President and Chief Financial Officer

Dated: July 7, 2010

A signed original of this written statement required by Section 906 has been provided to Conn's, Inc. and will be retained by Conn's, Inc. and furnished to the Securities and Exchange Commission or its staff upon request. The foregoing certification is being furnished solely pursuant to 18 U.S.C. Section 1350 and is not being filed as part of the Report or as a separate disclosure document.

**SUBCERTIFICATION OF CHAIRMAN OF THE BOARD IN SUPPORT OF  
RULE 13a-14(a)/15d-14(a) CERTIFICATION (CHIEF EXECUTIVE OFFICER)**

I, William C. Nylin Jr., certify that:

1. I have reviewed this quarterly report on Form 10-Q of Conn's, Inc.;
2. Based on my knowledge, this report does not contain any untrue statement of a material fact or omit to state a material fact necessary to make the statements made, in light of the circumstances under which such statements were made, not misleading with respect to the period covered by this report;
3. Based on my knowledge, the financial statements, and other financial information included in this report, fairly present in all material respects the financial condition, results of operations and cash flows of the registrant as of, and for, the periods presented in this report;
4. The registrant's other certifying officer(s) and I are responsible for establishing and maintaining disclosure controls and procedures (as defined in Exchange Act Rules 13a-15(e) and 15d-15(e)) and internal control over financial reporting (as defined in Exchange Act Rules 13a-15(f) and 15d-15(f)) for the registrant and have:
  - (a) Designed such disclosure controls and procedures, or caused such disclosure controls and procedures to be designed under our supervision, to ensure that material information relating to the registrant, including its consolidated subsidiaries, is made known to us by others within those entities, particularly during the period in which this report is being prepared;
  - (b) Designed such internal control over financial reporting, or caused such internal control over financial reporting to be designed under our supervision, to provide reasonable assurance regarding the reliability of financial reporting and the preparation of financial statements for external purposes in accordance with generally accepted accounting principles;
  - (c) Evaluated the effectiveness of the registrant's disclosure controls and procedures and presented in this report our conclusions about the effectiveness of the disclosure controls and procedures, as of the end of the period covered by this report based on such evaluation; and
  - (d) Disclosed in this report any change in the registrant's internal control over financial reporting that occurred during the registrant's most recent fiscal quarter (the registrant's fourth fiscal quarter in the case of an annual report) that has materially affected, or is reasonably likely to materially affect, the registrant's internal control over financial reporting; and
5. The registrant's other certifying officer(s) and I have disclosed, based on our most recent evaluation of internal control over financial reporting, to the registrant's auditors and the audit committee of the registrant's board of directors (or persons performing the equivalent functions):
  - (a) All significant deficiencies and material weaknesses in the design or operation of internal control over financial reporting which are reasonably likely to adversely affect the registrant's ability to record, process, summarize and report financial information; and
  - (b) Any fraud, whether or not material, that involves management or other employees who have a significant role in the registrant's internal control over financial reporting.

/s/ William C. Nylin, Jr.  
\_\_\_\_\_  
William C. Nylin, Jr.  
Chairman of the Board

Date: July 7, 2010

**SUBCERTIFICATION OF PRESIDENT — RETAIL DIVISION IN SUPPORT OF RULE 13a-14(a)/15d-14(a)  
CERTIFICATION (CHIEF EXECUTIVE OFFICER)**

I, David W. Trahan, certify that:

1. I have reviewed this quarterly report on Form 10-Q of Conn's, Inc.;

2. Based on my knowledge, this report does not contain any untrue statement of a material fact or omit to state a material fact necessary to make the statements made, in light of the circumstances under which such statements were made, not misleading with respect to the period covered by this report;

3. Based on my knowledge, the financial statements, and other financial information included in this report, fairly present in all material respects the financial condition, results of operations and cash flows of the registrant as of, and for, the periods presented in this report;

4. The registrant's other certifying officer(s) and I are responsible for establishing and maintaining disclosure controls and procedures (as defined in Exchange Act Rules 13a-15(e) and 15d-15(e)) and internal control over financial reporting (as defined in Exchange Act Rules 13a-15(f) and 15d-15(f)) for the registrant and have:

- (a) Designed such disclosure controls and procedures, or caused such disclosure controls and procedures to be designed under our supervision, to ensure that material information relating to the registrant, including its consolidated subsidiaries, is made known to us by others within those entities, particularly during the period in which this report is being prepared;
- (b) Designed such internal control over financial reporting, or caused such internal control over financial reporting to be designed under our supervision, to provide reasonable assurance regarding the reliability of financial reporting and the preparation of financial statements for external purposes in accordance with generally accepted accounting principles;
- (c) Evaluated the effectiveness of the registrant's disclosure controls and procedures and presented in this report our conclusions about the effectiveness of the disclosure controls and procedures, as of the end of the period covered by this report based on such evaluation; and
- (d) Disclosed in this report any change in the registrant's internal control over financial reporting that occurred during the registrant's most recent fiscal quarter (the registrant's fourth fiscal quarter in the case of an annual report) that has materially affected, or is reasonably likely to materially affect, the registrant's internal control over financial reporting; and

5. The registrant's other certifying officer(s) and I have disclosed, based on our most recent evaluation of internal control over financial reporting, to the registrant's auditors and the audit committee of the registrant's board of directors (or persons performing the equivalent functions):

- (a) All significant deficiencies and material weaknesses in the design or operation of internal control over financial reporting which are reasonably likely to adversely affect the registrant's ability to record, process, summarize and report financial information; and
- (b) Any fraud, whether or not material, that involves management or other employees who have a significant role in the registrant's internal control over financial reporting.

/s/ David W. Trahan

David W. Trahan

President — Retail Division

Date: July 7, 2010

**SUBCERTIFICATION OF PRESIDENT — CREDIT DIVISION IN SUPPORT OF RULE 13a-14(a)/15d-14(a)  
CERTIFICATION (CHIEF EXECUTIVE OFFICER)**

I, Reymundo de la Fuente, Jr., certify that:

1. I have reviewed this quarterly report on Form 10-Q of Conn's, Inc.;

2. Based on my knowledge, this report does not contain any untrue statement of a material fact or omit to state a material fact necessary to make the statements made, in light of the circumstances under which such statements were made, not misleading with respect to the period covered by this report;

3. Based on my knowledge, the financial statements, and other financial information included in this report, fairly present in all material respects the financial condition, results of operations and cash flows of the registrant as of, and for, the periods presented in this report;

4. The registrant's other certifying officer(s) and I are responsible for establishing and maintaining disclosure controls and procedures (as defined in Exchange Act Rules 13a-15(e) and 15d-15(e)) and internal control over financial reporting (as defined in Exchange Act Rules 13a-15(f) and 15d-15(f)) for the registrant and have:

- (a) Designed such disclosure controls and procedures, or caused such disclosure controls and procedures to be designed under our supervision, to ensure that material information relating to the registrant, including its consolidated subsidiaries, is made known to us by others within those entities, particularly during the period in which this report is being prepared;
- (b) Designed such internal control over financial reporting, or caused such internal control over financial reporting to be designed under our supervision, to provide reasonable assurance regarding the reliability of financial reporting and the preparation of financial statements for external purposes in accordance with generally accepted accounting principles;
- (c) Evaluated the effectiveness of the registrant's disclosure controls and procedures and presented in this report our conclusions about the effectiveness of the disclosure controls and procedures, as of the end of the period covered by this report based on such evaluation; and
- (d) Disclosed in this report any change in the registrant's internal control over financial reporting that occurred during the registrant's most recent fiscal quarter (the registrant's fourth fiscal quarter in the case of an annual report) that has materially affected, or is reasonably likely to materially affect, the registrant's internal control over financial reporting; and

5. The registrant's other certifying officer(s) and I have disclosed, based on our most recent evaluation of internal control over financial reporting, to the registrant's auditors and the audit committee of the registrant's board of directors (or persons performing the equivalent functions):

- (a) All significant deficiencies and material weaknesses in the design or operation of internal control over financial reporting which are reasonably likely to adversely affect the registrant's ability to record, process, summarize and report financial information; and
- (b) Any fraud, whether or not material, that involves management or other employees who have a significant role in the registrant's internal control over financial reporting.

/s/ Reymundo de la Fuente, Jr.  
 Reymundo de la Fuente, Jr.  
 President — Credit Division

Date: July 7, 2010

**SUBCERTIFICATION OF TREASURER IN SUPPORT OF RULE 13a-14(a)/15d-14(a) CERTIFICATION  
(CHIEF FINANCIAL OFFICER)**

I, David R. Atnip, certify that:

1. I have reviewed this quarterly report on Form 10-Q of Conn's, Inc.;

2. Based on my knowledge, this report does not contain any untrue statement of a material fact or omit to state a material fact necessary to make the statements made, in light of the circumstances under which such statements were made, not misleading with respect to the period covered by this report;

3. Based on my knowledge, the financial statements, and other financial information included in this report, fairly present in all material respects the financial condition, results of operations and cash flows of the registrant as of, and for, the periods presented in this report;

4. The registrant's other certifying officer(s) and I are responsible for establishing and maintaining disclosure controls and procedures (as defined in Exchange Act Rules 13a-15(e) and 15d-15(e)) and internal control over financial reporting (as defined in Exchange Act Rules 13a-15(f) and 15d-15(f)) for the registrant and have:

- (a) Designed such disclosure controls and procedures, or caused such disclosure controls and procedures to be designed under our supervision, to ensure that material information relating to the registrant, including its consolidated subsidiaries, is made known to us by others within those entities, particularly during the period in which this report is being prepared;
- (b) Designed such internal control over financial reporting, or caused such internal control over financial reporting to be designed under our supervision, to provide reasonable assurance regarding the reliability of financial reporting and the preparation of financial statements for external purposes in accordance with generally accepted accounting principles;
- (c) Evaluated the effectiveness of the registrant's disclosure controls and procedures and presented in this report our conclusions about the effectiveness of the disclosure controls and procedures, as of the end of the period covered by this report based on such evaluation; and
- (d) Disclosed in this report any change in the registrant's internal control over financial reporting that occurred during the registrant's most recent fiscal quarter (the registrant's fourth fiscal quarter in the case of an annual report) that has materially affected, or is reasonably likely to materially affect, the registrant's internal control over financial reporting; and

5. The registrant's other certifying officer(s) and I have disclosed, based on our most recent evaluation of internal control over financial reporting, to the registrant's auditors and the audit committee of the registrant's board of directors (or persons performing the equivalent functions):

- (a) All significant deficiencies and material weaknesses in the design or operation of internal control over financial reporting which are reasonably likely to adversely affect the registrant's ability to record, process, summarize and report financial information; and
- (b) Any fraud, whether or not material, that involves management or other employees who have a significant role in the registrant's internal control over financial reporting.

/s/ David R. Atnip

\_\_\_\_\_  
David R. Atnip

Senior Vice President and Treasurer

Date: July 7, 2010

**SUBCERTIFICATION OF SECRETARY IN SUPPORT OF RULE 13a-14(a)/15d-14(a) CERTIFICATION  
(CHIEF EXECUTIVE OFFICER)**

I, Sydney K. Boone, Jr., certify that:

1. I have reviewed this quarterly report on Form 10-Q of Conn's, Inc.;

2. Based on my knowledge, this report does not contain any untrue statement of a material fact or omit to state a material fact necessary to make the statements made, in light of the circumstances under which such statements were made, not misleading with respect to the period covered by this report;

3. Based on my knowledge, the financial statements, and other financial information included in this report, fairly present in all material respects the financial condition, results of operations and cash flows of the registrant as of, and for, the periods presented in this report;

4. The registrant's other certifying officer(s) and I are responsible for establishing and maintaining disclosure controls and procedures (as defined in Exchange Act Rules 13a-15(e) and 15d-15(e)) and internal control over financial reporting (as defined in Exchange Act Rules 13a-15(f) and 15d-15(f)) for the registrant and have:

- (a) Designed such disclosure controls and procedures, or caused such disclosure controls and procedures to be designed under our supervision, to ensure that material information relating to the registrant, including its consolidated subsidiaries, is made known to us by others within those entities, particularly during the period in which this report is being prepared;
- (b) Designed such internal control over financial reporting, or caused such internal control over financial reporting to be designed under our supervision, to provide reasonable assurance regarding the reliability of financial reporting and the preparation of financial statements for external purposes in accordance with generally accepted accounting principles;
- (c) Evaluated the effectiveness of the registrant's disclosure controls and procedures and presented in this report our conclusions about the effectiveness of the disclosure controls and procedures, as of the end of the period covered by this report based on such evaluation; and
- (d) Disclosed in this report any change in the registrant's internal control over financial reporting that occurred during the registrant's most recent fiscal quarter (the registrant's fourth fiscal quarter in the case of an annual report) that has materially affected, or is reasonably likely to materially affect, the registrant's internal control over financial reporting; and

5. The registrant's other certifying officer(s) and I have disclosed, based on our most recent evaluation of internal control over financial reporting, to the registrant's auditors and the audit committee of the registrant's board of directors (or persons performing the equivalent functions):

- (a) All significant deficiencies and material weaknesses in the design or operation of internal control over financial reporting which are reasonably likely to adversely affect the registrant's ability to record, process, summarize and report financial information; and
- (b) Any fraud, whether or not material, that involves management or other employees who have a significant role in the registrant's internal control over financial reporting.

/s/ Sydney K. Boone, Jr.

Sydney K. Boone, Jr.

Corporate General Counsel and Secretary

Date: July 7, 2010



**SUBCERTIFICATION OF CHAIRMAN OF THE BOARD,  
PRESIDENTS, TREASURER AND SECRETARY IN SUPPORT OF  
18 U.S.C. SECTION 1350 CERTIFICATION,  
AS ADOPTED PURSUANT TO  
SECTION 906 OF THE SARBANES-OXLEY ACT OF 2002**

In connection with the Quarterly Report of Conn's, Inc. (the "**Company**") on Form 10-Q for the period ended April 30, 2010, as filed with the Securities and Exchange Commission on the date hereof (the "**Report**"), we, William C. Nylin, Jr., Chairman of the Board, David W. Trahan, President — Retail Division, Reymundo de la Fuente, Jr., President — Credit Division, David R. Atnip, Senior Vice President and Treasurer of the Company, and Sydney K. Boone, Jr., Corporate General Counsel and Secretary of the Company, hereby certify, pursuant to 18 U.S.C. Section 1350, as adopted pursuant to Section 906 of the Sarbanes-Oxley Act of 2002, that, to the best of our knowledge:

- (1) The Report fully complies with the requirements of Section 13(a) or 15(d) of the Securities Exchange Act of 1934; and
- (2) The information contained in the Report fairly presents, in all material respects, the financial condition and results of operations of the Company.

/s/ William C. Nylin, Jr.

William C. Nylin, Jr.  
Chairman of the Board

/s/ David W. Trahan

David W. Trahan  
President — Retail Division

/s/ Reymundo de la Fuente, Jr.

Reymundo de la Fuente, Jr.  
President — Credit Division

/s/ David R. Atnip

David R. Atnip  
Senior Vice President and Treasurer

/s/ Sydney K. Boone, Jr.

Sydney K. Boone, Jr.  
Corporate General Counsel and Secretary

Dated: July 7, 2010

A signed original of this written statement has been provided to Conn's, Inc. and will be retained by Conn's, Inc. The foregoing certification is being furnished solely to support certifications pursuant to 18 U.S.C. Section 1350 and is not being filed as part of the Report or as a separate disclosure document.